

WSM

WORKSHOP MANUAL
TRACTOR

B6100HST, B7100HST

Кубота

Removal and Installation

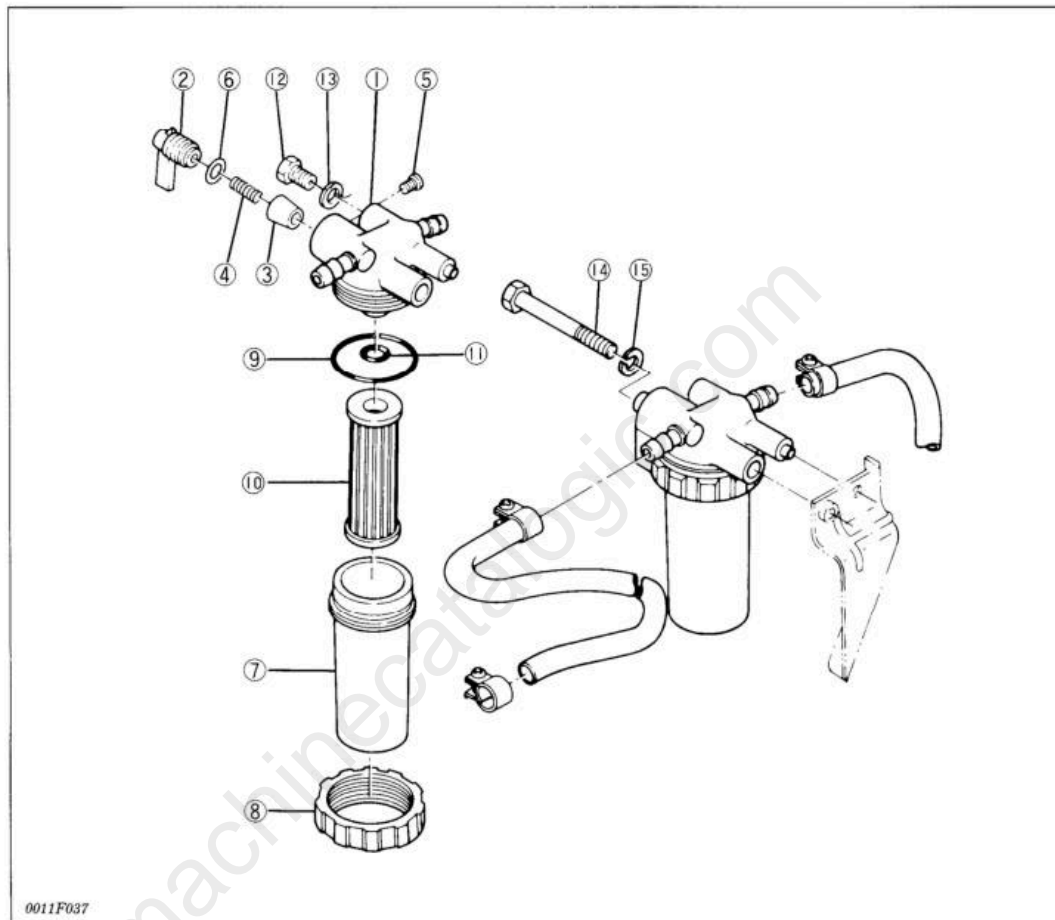
To remove the fuel filter assembly:

1. Disconnect inlet hose and plug the disconnected

end to prevent the loss of fuel.

2. Disconnect the outlet hose at filter

3. Remove the filter housing attaching bolt.



0011F037

- | | | | | |
|----------------|-----------------|-------------------|--------------------|-------------------|
| 1. Cock Body | 4. Valve Spring | 7. Filter Cup | 10. Filter Element | 13. O-ring |
| 2. Cock Lever | 5. Lever Screw | 8. Retaining Ring | 11. Filter O-ring | 14. Bolt |
| 3. Taper Valve | 6. Lever O-ring | 9. Filter O-ring | 12. Air Vent Plug | 15. Spring Washer |

Fig. E-4 Fuel Filter

It may be necessary at some time to repair the filter housing because of fuel leakage from around the cock lever or breather plug.

Use the above illustration as a guide for replacing

parts.

To install the filter assembly, reverse the removal steps given above.

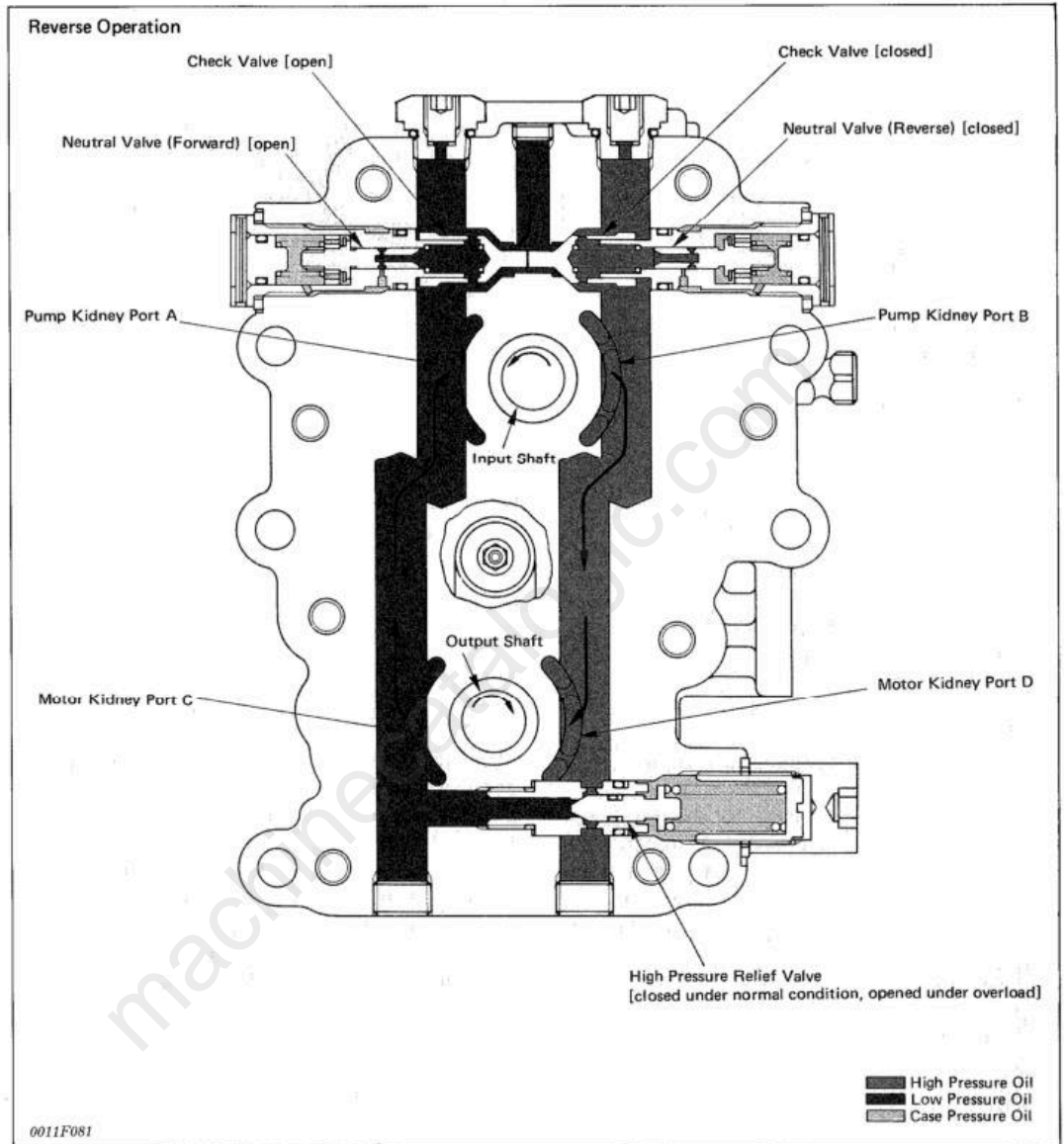
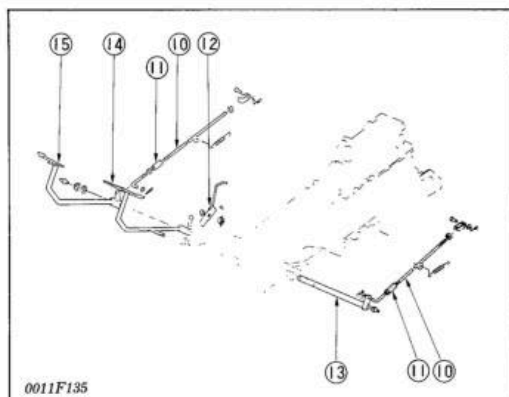


Fig. G-33 Valve Functions in Reverse Operation

machinecatalogic.com

**TRANSMISSION
(NEW HST)**



- | | |
|----------------------|-------------------------|
| 10. Brake Rod | 13. Brake Pedal Shaft |
| 11. Turnbuckle | 14. Brake Pedal (Left) |
| 12. Brake Lock Lever | 15. Brake Pedal (Right) |

Fig. L-2 Brake Linkage

Right and left brake pedals are independent of each other, and operated by the operator's right foot either separately or together.

Brake pedal play is adjusted with the turnbuckle (11) attached to the rod (10).

Troubleshooting

SYMPTOM	PROBLEM	SOLUTION
Brakes don't operate	Incorrect adjustment of linkage	Adjust
	Oil on brake shoe	Replace oil seal and clean shoe
	Worn brake shoe	Replace
Heavy brake pedal	Rusted brake pedal shaft	Remove rust
	Rusted brake cam	Remove rust

Full Version Available

Kubota B6100HST Tractor Workshop Manual

This is a short preview. The complete manual contains all chapters, wiring diagrams, torque specifications and full service procedures.

VIEW THE FULL MANUAL

<https://machinecatalogic.com/kubota-b6100hst-tractor-workshop-manual/>