

WSM

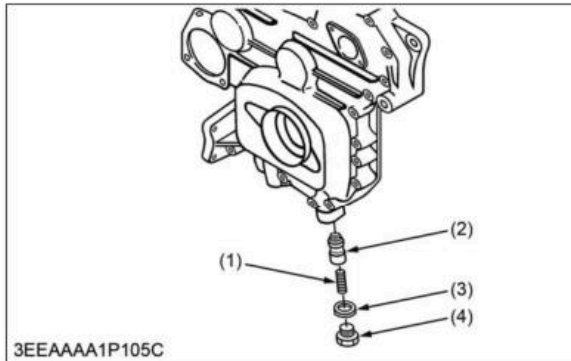
WORKSHOP MANUAL
**TRACTOR, ROTARY
MOWER**

**BX1880-AU, BX2380-AU,
BX2680-AU, RCK60B-23BX,
RCK54-23BX, RCK48-18BX,
RCK60D-26BX, RCK54D-26BX**

Kubota

2.5 Function of relief valve

The relief valve prevents the damage of the lubricating system due to high oil pressure.

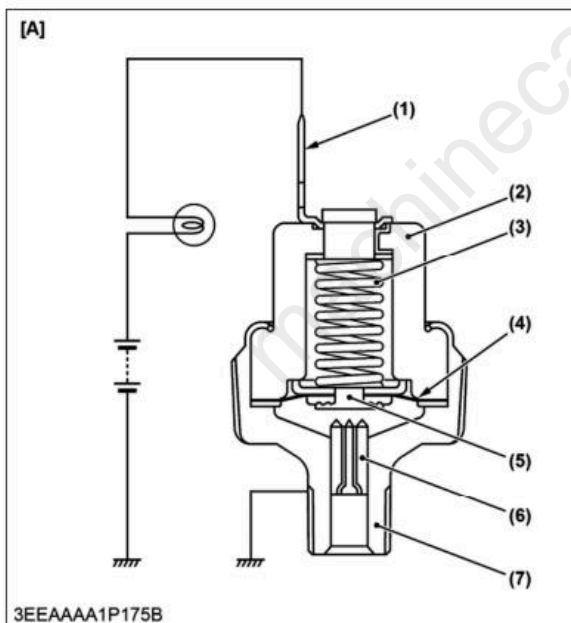


3EEAAA1P105C

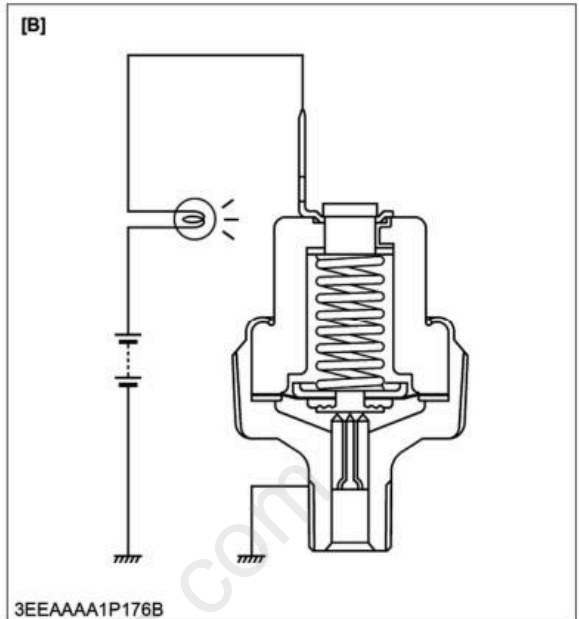
- (1) Spring
- (2) Poppet
- (3) Gasket
- (4) Plug

The valve is closed when the spring tension is greater than the oil pressure at the inlet. The spring tension holds poppet (2) securely in position. The valve opens when the oil pressure at the inlet exceeds that of the spring (1). This pushes the poppet off the inlet hole and oil flows through the valve.

2.6 Function of oil pressure switch



3EEAAA1P175B



3EEAAA1P176B

- (1) Terminal
- (2) Insulator
- (3) Spring
- (4) Diaphragm
- (5) Contact rivet
- (6) Contact
- (7) Oil switch body
- [A] At proper oil pressure
- [B] At lower oil pressure

The oil pressure switch is mounted on the cylinder block and is led to the lubricating oil passage. When the oil pressure falls below the specified value, the oil pressure-warning lamp lights.

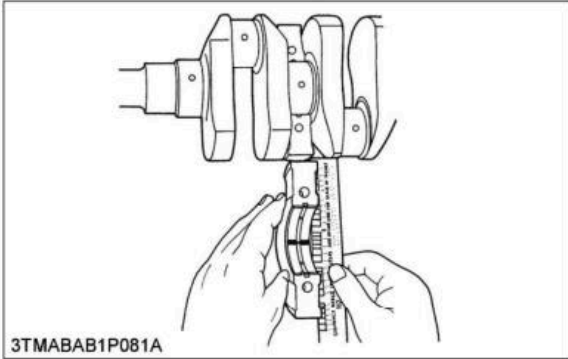
[A] At proper oil pressure

When the engine is started and as the proper oil pressure builds, the diaphragm (4) is pushed up. This separates the contact rivet (5) and breaks the circuit, causing the lamp to go out.

[B] At lower oil pressure, 49 kPa (0.50 kgf/cm², 7.1 psi) or less

If the oil pressure drops, the resulting deflection of the diaphragm (4) will close the contact rivet (5) and again complete the circuit. The lighted lamp warns that the pressure of the lubricating system has dropped below the pressure setting.

Undersize	0.20 mm 0.0079 in.	0.40 mm 0.016 in.
Dimension D	51.721 to 51.740 mm dia. 2.0362 to 2.0370 in. dia.	51.521 to 51.540 mm dia. 2.0284 to 2.0291 in. dia.
The crankshaft journal must be fine-finished to higher than Max. = 0.8S		



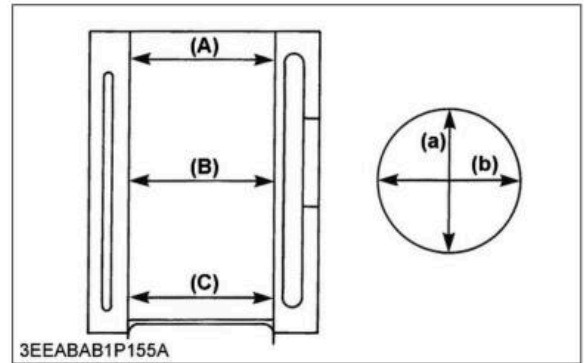
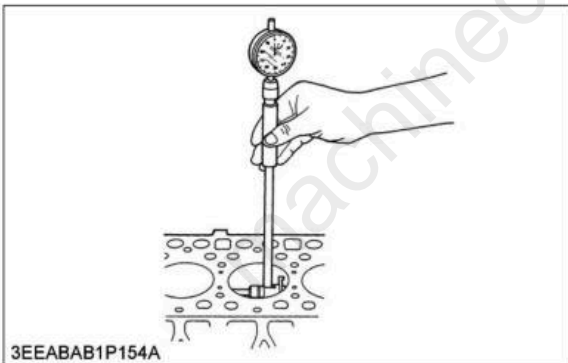
6.5 Cylinder

6.5.1 Checking cylinder wear

Tools required

- Cylinder gauge

1. Measure the I.D. of the cylinder at the six positions (see figure) with a cylinder gauge to find the maximum and minimum I.D.'s.



- (A) Top
(B) Middle
(C) Bottom (Skirt)
- (a) Right-angled to piston pin
(b) Piston pin direction

2. Get the difference (maximum wear) between the maximum and the minimum I.D.'s.
3. If the wear exceeds the service limit, bore and hone to the oversize dimension.

BX1880

Cylinder liner I.D.	Service specification	67.000 to 67.019 mm 2.6378 to 2.6385 in.
	Service limit	67.150 mm 2.6437 in.

BX2380

Cylinder liner I.D.	Service specification	72.000 to 72.019 mm 2.8347 to 2.8353 in.
	Service limit	72.150 mm 2.8406 in.

BX2680

Cylinder liner I.D.	Service specification	76.000 to 76.019 mm 2.9922 to 2.9928 in.
	Service limit	76.15 mm 2.998 in.

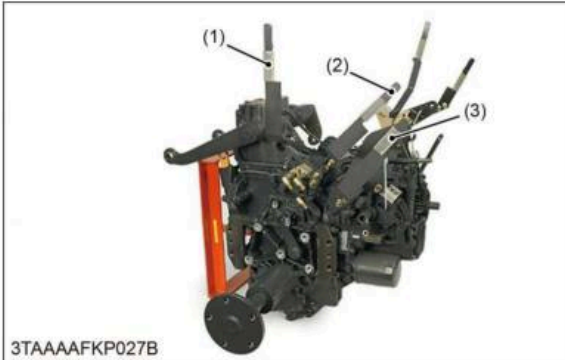
4. Visually check the cylinder wall for scratches. If deep scratches are found, the cylinder should be bored.

— RELATED PAGE —

[6.5.2 Correcting cylinder \(Oversize\) on page 3-78](#)

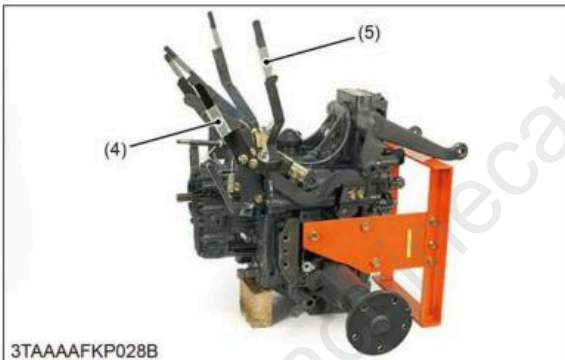
5.2 Hydrostatic transmission

5.2.1 Removing levers and mower lift arm



(1) Range gear shift lever (3) Front wheel drive lever
(2) Hydraulic control lever

1. Tap out the spring pin from the range gear shift lever (1) and front wheel drive lever (3), then remove the both levers.
2. Remove the hydraulic control lever (2).
3. Remove the PTO select lever (4) and PTO clutch control lever (5).



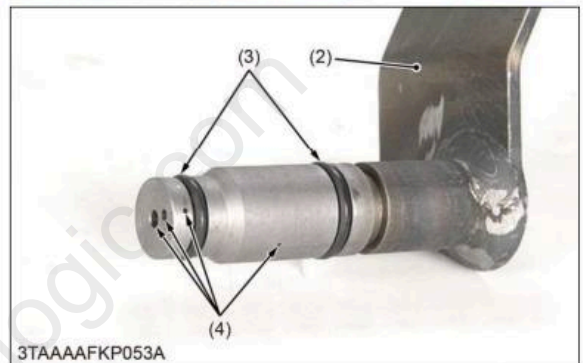
(4) PTO select lever (5) PTO clutch control lever

(When reassembling)

- Apply grease to inside of the front coupling and rear mounting.

Tightening torque	Hydraulic control lever mounting bolt and nut	18 to 20 N·m 1.8 to 2.1 kgf·m 13 to 15 lbf·ft
-------------------	---	---

5.2.2 Removing PTO clutch valve



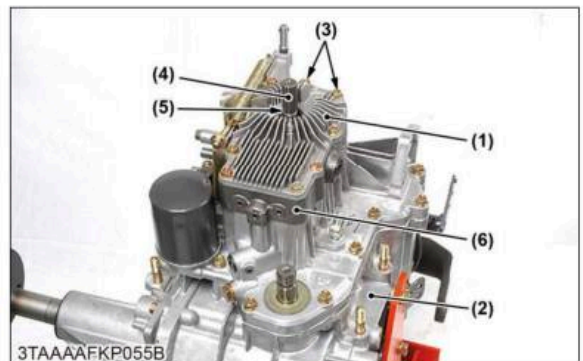
(1) Stopper (3) O-ring
(2) PTO clutch valve (4) Oil passage

1. Remove the stopper (1).
2. Draw out the PTO clutch valve (2) from the transaxle assembly.

(When reassembling)

1. Clean the oil passages (4).
2. Apply the transmission fluid to the O-rings (3).

5.2.3 Removing center section



(1) Oil cooler cover (4) Clutch pump shaft
(2) Transaxle assembly (5) Bearing
(3) Bolt/Nut (6) Center section

2. Electrical connector chart

<p>3RD_FLUC AMP_EI_11832J AL_BATTERY(+) YAZAKI 7166-3105 ALT_B RING_TERMINAL_LA_M8 SUMITOMO_T5000 6189-0442 ALT_S BL_STARTER EARTH_TERMINAL_BA_M8 SATT(+) YAZAKI_SUL_7123-115-30 BODYEARTH(FRAME) RING_TERMINAL_LA_M8 BODYEARTH(STARTER) RING_TERMINAL_LA_M8 COMBIL_SW SUMITOMO_M1096 6244-5121 DC_OUTLET YAZAKI_POSITIVE_LOCK 7123-8222</p>	<p>FLASHER UNIT SUMITOMO_M1096 6242-5881 FUEL_PUMP SUMITOMO_250 6070-2481 *1 010 7 011 FUEL_SSR(+) AMP_POSITIVE_LOCK(MK /) 154719-1 FUEL_SSR(-) AMP_POSITIVE_LOCK(MK /) 154719-0 FUSE_BOX GLOW_PLUG PORK_TERMINAL_LE_M4 GROU(UT) RING_TERMINAL_LA_M8 *1 053 7 081 ONDA(L) RING_TERMINAL_LA_M8 *1 053 7 071 HAZARD_LAMP(L-) BULLET_TERMINAL_RECEPTACLE_CB</p>	<p>HAZARD_LAMP(L-) BULLET_TERMINAL_PLUG_CA *1 053 7 056 HAZARD_LAMP(R-) BULLET_TERMINAL_RECEPTACLE_CB HAZARD_LAMP(R-) BULLET_TERMINAL_RECEPTACLE_CB HEAD_LIGHT(L) DELPHI_AMHIP3d200 12124819 HEAD_LIGHT(R) DELPHI_AMHIP3d200 12124819 MAIN_SW SUMITOMO_DJ_250 6105-0041 NEUTRAL_SW MOLEX_MX150 33472-0801 OIL_PRESS_SW YAZAKI_250 7116-2020 RANEL JAE_MX34 MACHG08F1 PTO_SW MOLEX_MX150 33472-0801</p>	<p>REAR_PTO_SW MOLEX_MX150 33472-0801 FUEL_COOL BOSCH_3334-485-007 RLV(LAMP) BOSCH_3334-485-007 RLV(STARTER) BOSCH_3334-485-007 SAFETY_SW(SEAT) SUMITOMO_M1096 6187-2111 SAFETY_SW(SEAT_TURN_OVER) DELTA 9020 SRF SOLENOID PKC_E-321 YAZAKI_CNA 7123-2115</p>	<p>STARTER_S YAZAKI_CNA 7123-2115 TAIL_LIGHT(L-) TAIL_LIGHT(L-) BULLET_TERMINAL_RECEPTACLE_CB TAIL_LIGHT(L-) TAIL_LIGHT(L-) SUMITOMO_M1096 6187-2171 TO_OUTLET_H SUMITOMO_M1096 6182-2181 TO_MAIN_L(SEAT) TIMER(OPC) SUMITOMO_M1096 6182-1182 TIMER(STOP) SUMITOMO_250 6077-4481 TO_MAIN(+) BULLET_TERMINAL_PLUG_CA TO_WORK_LIGHT(+) BULLET_TERMINAL_RECEPTACLE_CB TO_MAIN(-COOL) BULLET_TERMINAL_PLUG_CA TO_WORK_LIGHT(+) SUMITOMO_250 6070-2481 SUMITOMO_250 6070-2481</p>	<p>TO MAIN- BULLET_TERMINAL_RECEPTACLE_CB TO_WORK_LIGHT(+) BULLET_TERMINAL_PLUG_CA TO MAIN (-OUTLET) SUMITOMO_M1096 6187-2171 TO_OUTLET_H SUMITOMO_M1096 6182-2181 TO_MAIN_L(SEAT) AMP_EI_11832J TO_SEAT_H AMP_EI_11832J WATER_TEMP_SSR WORK_LIGHT_RLY BOSCH_3334-485-007 WORK_LIGHT(L) SUMITOMO_250 6070-2481 WORK_LIGHT(R) SUMITOMO_250 6070-2481</p>
--	--	--	---	--	---

2LEQP00081A01

Full Version Available

Kubota BX2380-AU Tractor Workshop Manual

This is a short preview. The complete manual contains all chapters, wiring diagrams, torque specifications and full service procedures.

VIEW THE FULL MANUAL

<https://machinecatalogic.com/kubota-bx2380-au-tractor-workshop-manual/>