

# WSM

---

WORKSHOP MANUAL  
**FRONT LOADER**

**LA1954AU, LA2254AU**

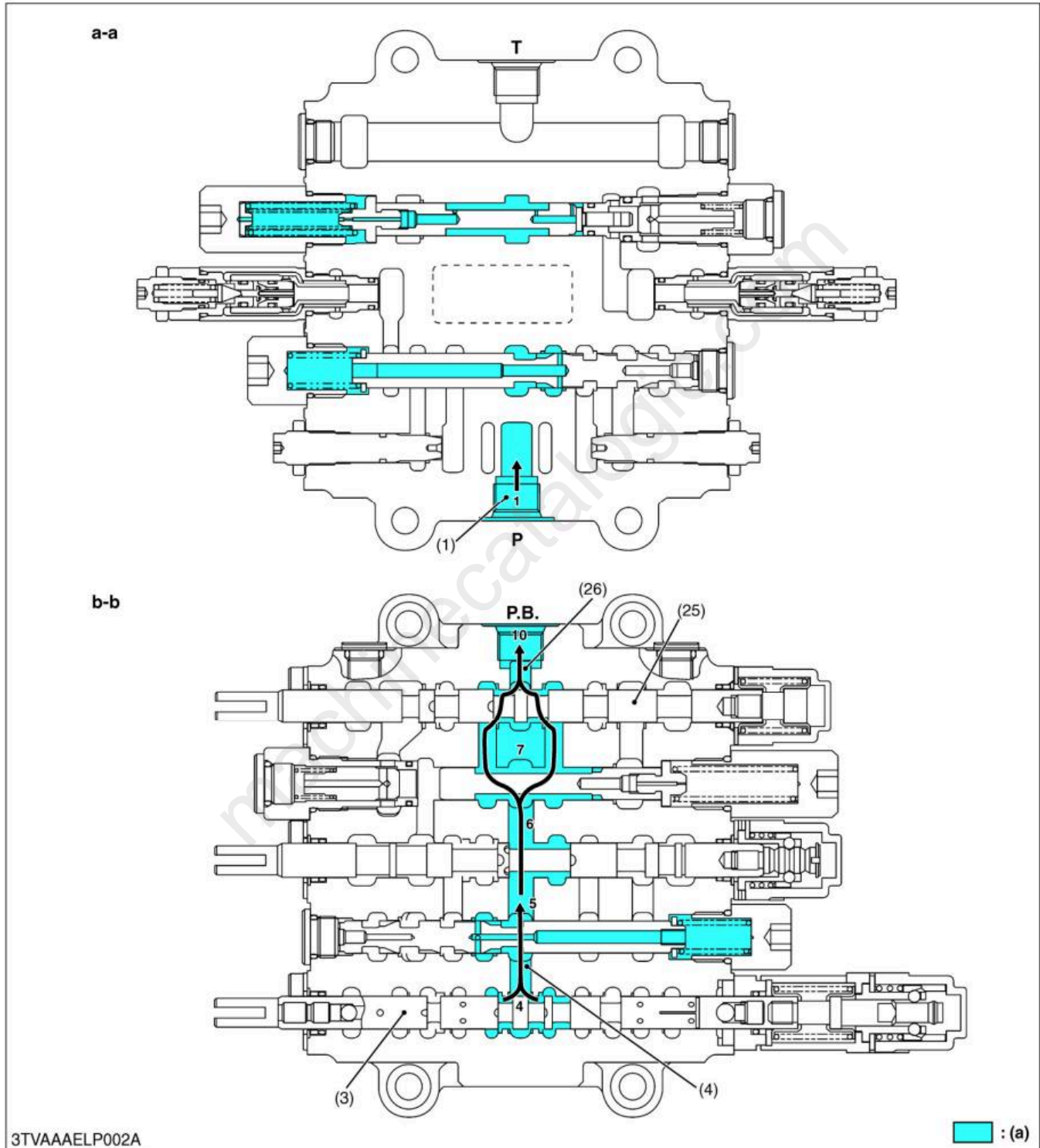
---

**Kubota**


LA1954AU, LA2254AU, WSM

FRONT LOADER

**Control Lever at "NEUTRAL" Position (Figure 2)**



3TVAAELP002A

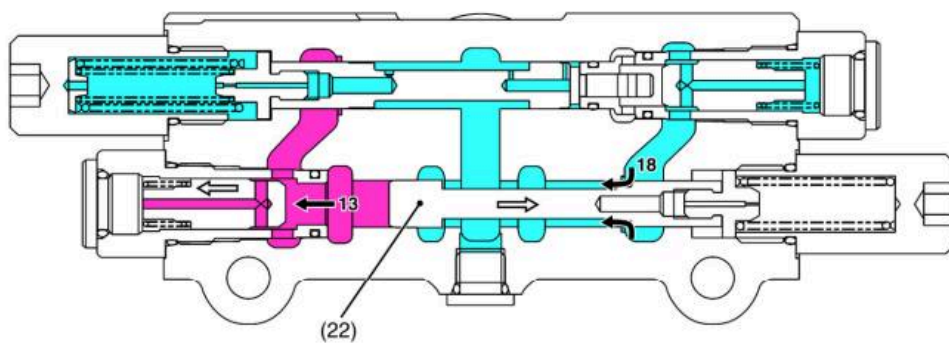
 : (a)

- (1) P Port
- (3) Boom Spool
- (4) Center By-pass Passage

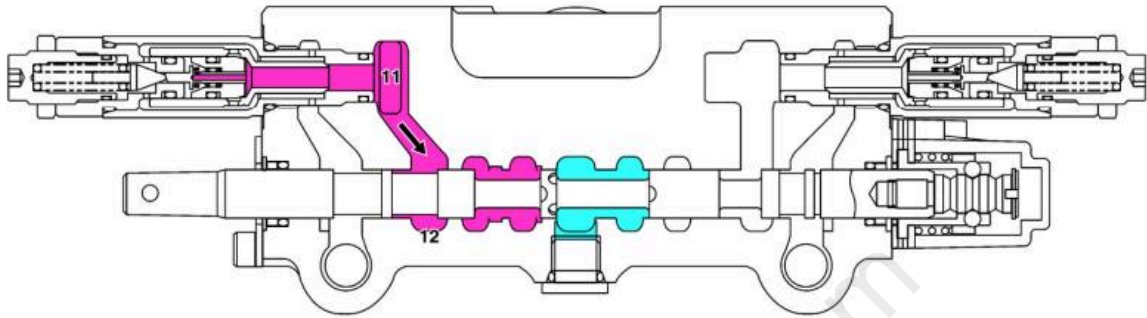
- (25) Bucket Spool
- (26) P.B. Port

- P: P Port (Pump Port)
- T: T Port (Tank Port)
- P.B.: P.B. Port (Power Beyond Port)

- a-a: Section a-a
- b-b: Section b-b
- (a) Low Pressure
- 1 to 10: Oil Flow



e-e



3TVAAAELP015A

■ : (a)    ■ : (b)

(22) Lowering Sequence Spool

A2: A2 Port (Connected Bucket Rod Cylinder)  
 B2: B2 Port (Connected Bucket Bottom Cylinder)

c-c: Bucket Section  
 d-d: Sequence Section  
 e-e: Self-leveling Section

(a) Low Pressure  
 (b) Middle Pressure  
 (c) High Pressure  
 1 to 19: Oil Flow

9Y1210846FLM0039US0

1-M37

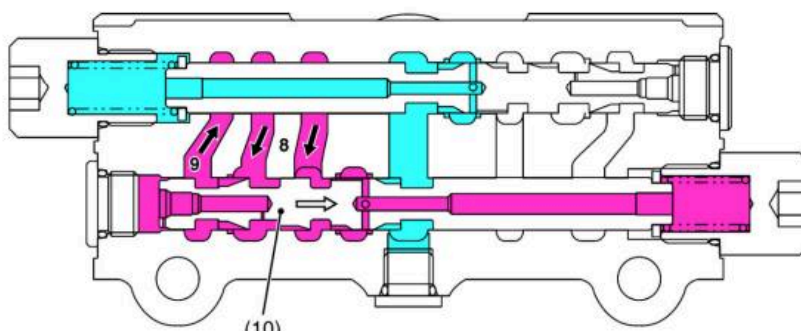
KiSC issued 10, 2018 A

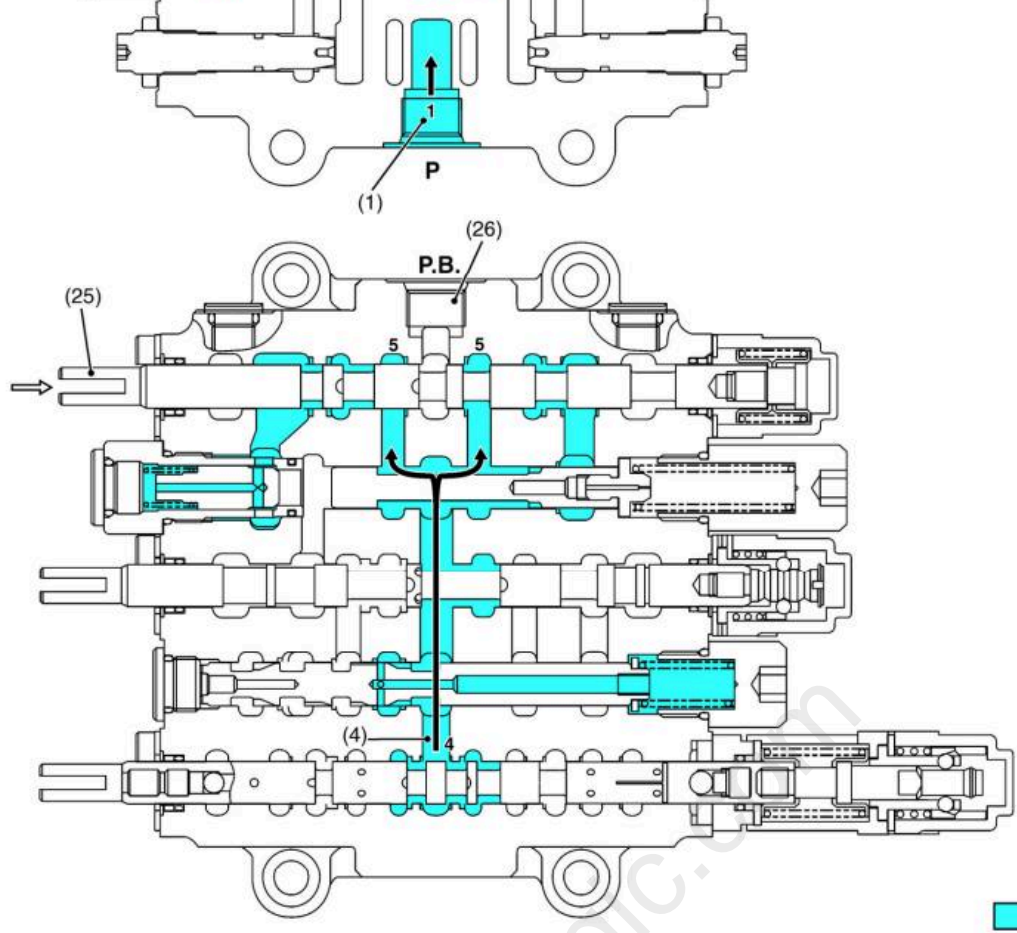
LA1954AU, LA2254AU, WSM

FRONT LOADER

**Boom Down (Figure 4)**

f-f





3TVAAELP033A

: (a)

- |                            |                   |                       |                   |
|----------------------------|-------------------|-----------------------|-------------------|
| (1) P Port                 | (25) Bucket Spool | P: P Port (Pump Port) | a-a: Section a-a  |
| (4) Center By-pass Passage | (26) P.B. Port    | T: T Port (Tank Port) | b-b: Section b-b  |
|                            | (27) T Port       | P.B.: P.B. Port       | (a) Low Pressure  |
|                            |                   | (Power Beyond Port)   | 1 to 10: Oil Flow |

9Y1210846FLM0054US0

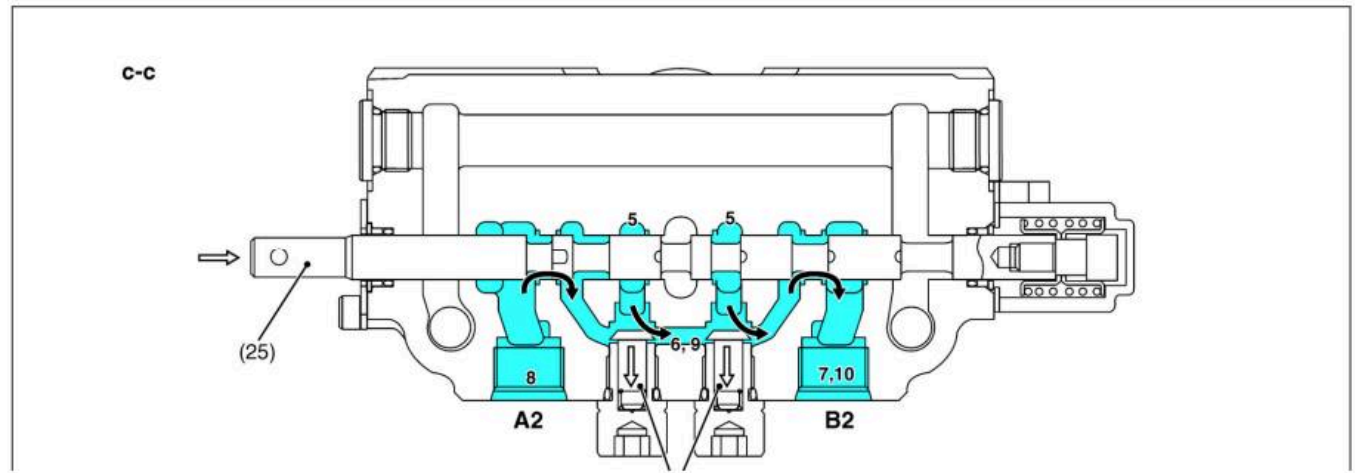
1-M52

KiSC issued 10, 2018 A

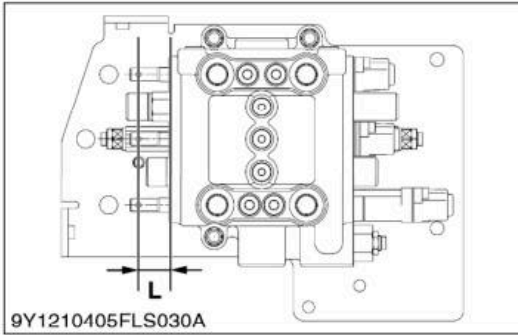
LA1954AU, LA2254AU, WSM

FRONT LOADER

**Bucket (Dump) (Figure 3)**



9Y1210405FLS022A



9Y1210405FLS030A

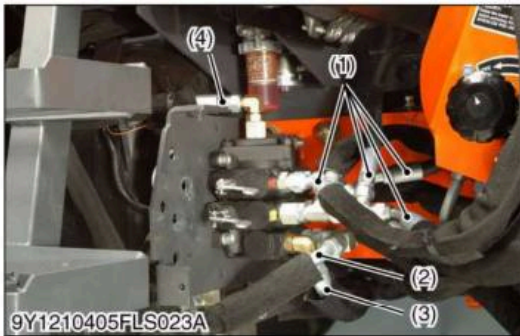
1-S13

KISC issued 10, 2018 A

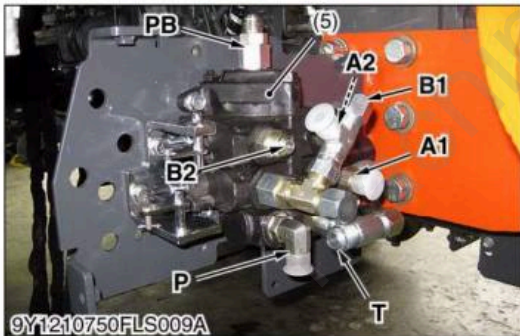
LA1954AU, LA2254AU, WSM

FRONT LOADER

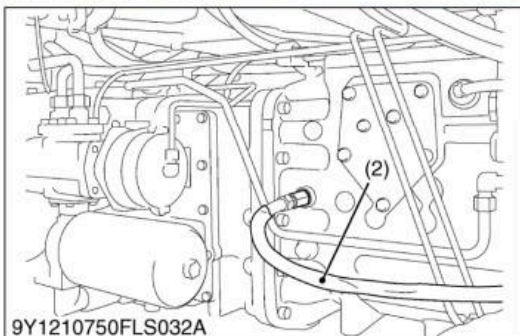
**[B] Standard Type Control Valve**



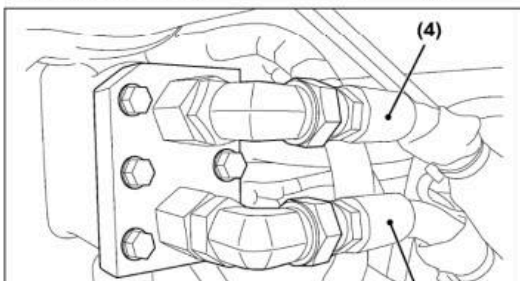
9Y1210405FLS023A



9Y1210750FLS009A



9Y1210750FLS032A



**Hydraulic Hoses and Control Valve**

1. Disconnect the hydraulic hoses (1), (2), (3), (4) from the control valve (5).
2. Remove the control valve (5).

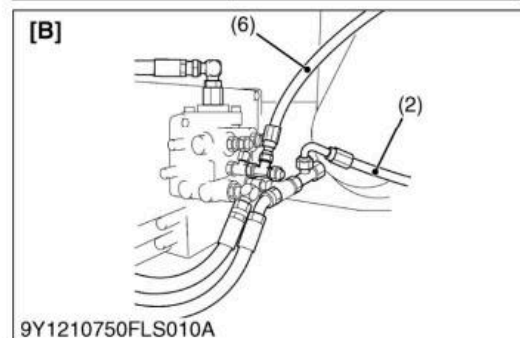
**(When reassembling)**

**■ IMPORTANT**

- If the hoses are connected wrong it can cause damage to a pump.

1. Connect the hydraulic hoses (2), (3), (4) and hydraulic hose boom (6).

Tightening torque	Control valve mounting bolt (M10)	48 to 55 N·m 4.9 to 5.7 kgf·m 36 to 41 lbf·ft
-------------------	-----------------------------------	---



9Y1210750FLS010A

- (1) Hydraulic Hose
- (2) Hydraulic Hose (Tank Line) (Grey)
- (3) Hydraulic Hose (Pump Line) (Orange)
- (4) Hydraulic Hose (Power Beyond Line) (Green)
- (5) Control Valve
- (6) Hydraulic Hose Boom (Yellow)

**[B] LA2254 without Accumulator**

**(To be continued)**

## Full Version Available

Kubota LA1954AU Front Loader Workshop Manual

This is a short preview. The complete manual contains all chapters, wiring diagrams, torque specifications and full service procedures.

[VIEW THE FULL MANUAL](https://machinecatalogic.com/kubota-la1954au-front-loader-workshop-manual/)

<https://machinecatalogic.com/kubota-la1954au-front-loader-workshop-manual/>