

WSM

WORKSHOP MANUAL
FRONT LOADER

LA703

Kubota

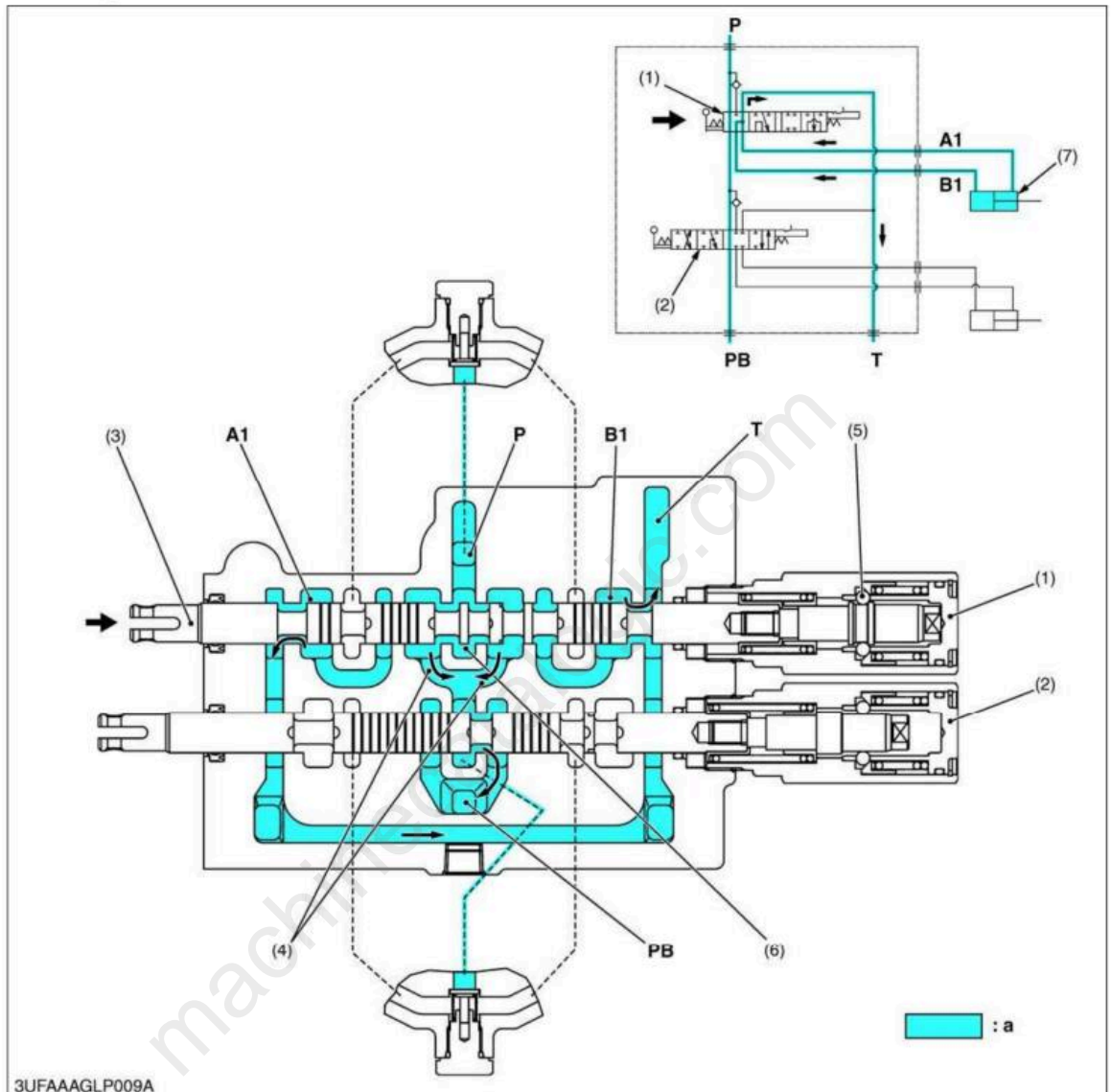
MECHANISM

CONTENTS

1. HYDRAULIC CIRCUIT.....	M-1
2. HYDRAULIC BLOCK.....	M-2
3. CONTROL VALVE ASSEMBLY.....	M-3
[1] STRUCTURE.....	M-3
[2] OPERATION.....	M-4

machinecatalogic.com

Floating



- (1) Boom Control Section
- (2) Bucket Control Section
- (3) Spool
- (4) PB Passage 1

- (5) Detent Mechanism
- (6) Neutral Passage 1
- (7) Boom Cylinder

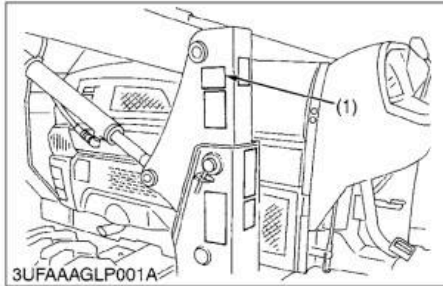
P : P Port
T : T Port

A1 : A1 Port
B1 : B1 Port
PB : PB Port
a : Low Pressure

- When the hydraulic control lever is set to the "FLOAT" position, the spool (3) moves further to the right from the "DOWN" position and is retained by the detent mechanism (5).
- This forms oil passages among the A1 port, B1 port and T port. As a result, oil in the boom cylinder (7) flows freely from the A1 port and B1 port through the T port to the transmission case.
- Oil entering the P port flows to the bucket control section (2) through the neutral passage 1 (6) and PB passage 1 (4).

1. GENERAL

[1] IDENTIFICATION

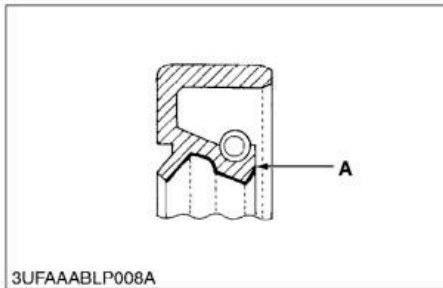


When contacting your local KUBOTA distributor, always specify front loader model and serial number.

(1) Model / Serial Number

W1010491

[2] GENERAL PRECAUTION



- During disassembly, carefully arrange removed parts in a clean area to prevent later confusion. Screws, bolts and nuts should be replaced in their original positions to prevent reassembly errors.
- When special tools are required, use genuine KUBOTA tools. Special tools which are not used frequently should be made according to the drawings provided.
- Clean parts before measuring them.
- Use only genuine KUBOTA parts for parts replacement to maintain loader performance and to assure safety.
- O-ring and oil seals must be replaced during reassembly. Apply grease to new O-rings or oil seals before reassembling.

A : Grease

W1010531

[3] LUBRICANTS

To prevent serious damage to hydraulic system, use only specified fluid or its equivalent.

Place	Capacities		Lubricants
	L4400	L4400HST	
Transmission Case (Front loader is not attached)	40.0 L 10.6 U.S.gals 8.80 Imp.gals	45.0 L 11.9 U.S.gals 9.90 Imp.gals	KUBOTA UDT or SUPER UDT Fluid *1
Grease fitting	Until grease overflows		Multi-purpose type grease

NOTE

- *1 KUBOTA UDT or SUPER UDT Fluid.....KUBOTA original transmission hydraulic fluid

W1010650

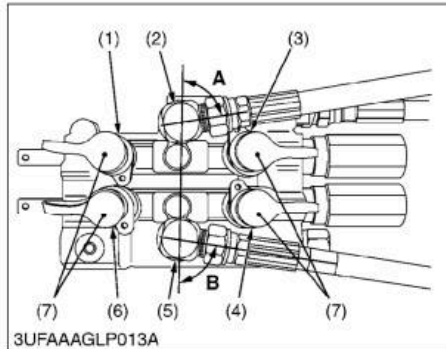
[4] MAINTENANCE CHECK LIST

To keep the machine working in good condition as well as to avoid any accident and trouble, carry out periodic inspection and maintenance. Check the following points before use.

Service Interval	Check Points	Reference Page
Daily (Each use)	<ul style="list-style-type: none"> • Check the transmission fluid level • Check the hydraulic hoses 	S-2 S-2
Every 10 hours	<ul style="list-style-type: none"> • Grease all grease fitting • Lubricate joints of control lever linkage 	S-2 S-2

W1010764

Remote Valve Type

(B) Disassembling Control Valve**Adapter and Elbow**

1. Remove the nipples, adapters and elbows from the control valve.

(When reassembling)

- Take care not to damage the O-ring.
- Install all the elbows in parallel to the spool as shown in figure.

Tightening torque	Adapter and elbow	47.1 to 53.9 N·m 4.80 to 5.50 kgf·m 34.8 to 39.7 lbf·ft
	Nipple	38.3 to 43.1 N·m 3.90 to 4.40 kgf·m 28.2 to 31.8 lbf·ft

(1) **A1** Port (Adapter and Nipple)

(2) **P** Port (Adapter)

(3) **B1** Port (Adapter and Nipple)

(4) **B2** Port (Adapter and Nipple)

(5) **PB** Port (Elbow)

(6) **A2** Port (Adapter and Nipple)

(7) Dust Cap

A : 1.396 rad (80 °)

B : 1.396 rad (80 °)

W1015299

Full Version Available

Kubota LA703 Front Loader Workshop Manual

This is a short preview. The complete manual contains all chapters, wiring diagrams, torque specifications and full service procedures.

VIEW THE FULL MANUAL

<https://machinecatalogic.com/kubota-la703-front-loader-workshop-manual/>