

WSM

WORKSHOP MANUAL
TRACTOR

**M4500(A/AC), M5500(A/AC),
M7500(A/AC)**

Кубота

ELECTRICAL SYSTEM

Symptom	Probable Cause	Solution	Reference Page
Battery Discharges Too Quickly	<ul style="list-style-type: none"> • Battery defective • Alternator defective • Regulator defective • Wiring defective • Fan belt slipping 	Replace or recharge Repair or replace Replace Connect or replace Adjust tension	S.G-44, S.8-1 S.8-8 S.8-9 M.8-2 S.G-37
Starter Does Not Run	<ul style="list-style-type: none"> • Safety switch improperly adjusted or defective • Fuse blown • Battery discharged • Wire harness disconnected (starter to battery or key switch) • Starter defective • Key and light switch defective or starter switch defective 	Adjust or replace Replace Charge Connect Repair or replace Repair or replace	S.8-3 M.8-2 S.G-44, S.8-1 M.8-2 S.8-3 M.8-2
Glow Plug Indicator (Lamp) Does Not Glow	<ul style="list-style-type: none"> • Battery discharged or defective • Fuse blown • Wire harness disconnected (key switch to glow plug indicator or battery) • Glow plug indicator defective • Starter defective, or key and light switch defective 	Charge or replace Replace Connect Replace Replace	S.G-44, S.8-1 M.8-2 M.8-2 S.8-3
Lights Do Not Light	<ul style="list-style-type: none"> • Bulbs defective • Fuses blown • Wire harness disconnected (light switch to lights) • Switches defective 	Replace Replace Connect Repair or replace	M.8-2 M.8-2
Charging Lamp Does Not Light	<ul style="list-style-type: none"> • Improper wiring between key switch and regulator • Fuse blown • Regulator defective 	Check and repair Replace Repair or replace	M.8-2 M.8-2 S.8-9
Charging Lamp Does Not Go Off	<ul style="list-style-type: none"> • Improper wiring between alternator "N" terminal and regulator "N" terminal • Improper wiring between key switch "B" terminal and regulator "B" terminal • Improper wiring between charging lamp and regulator "L" terminal • Alternator defective 	Check and repair Check and repair Check and repair Repair or replace	S.8-8

Spiral Bevel Pinion Shaft Staking Nut Socket 58

Code No.: 07916-52421

Application: Use for removing staking nut from spiral bevel pinion shaft, and reassembling it. (See page S.2-16, S.2-21)

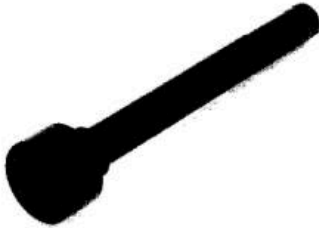


0309F045

Counter Shaft Staking Nut Socket 50

Code No.: 07916-52301

Application: Use for removing staking nut from counter shaft, and reassembling it. (See page S.2-8)

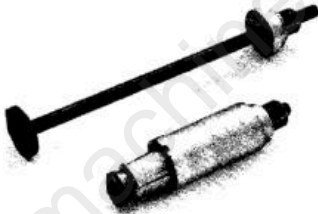


0309F047

King Pin Bushing Changer

Code No.: 07916-51012

Application: Use for pulling out or pushing in king pin bushing from or into 2WD front axle. (See page S.5-5)



0309F048

Injector

Code No.: 07916-52501

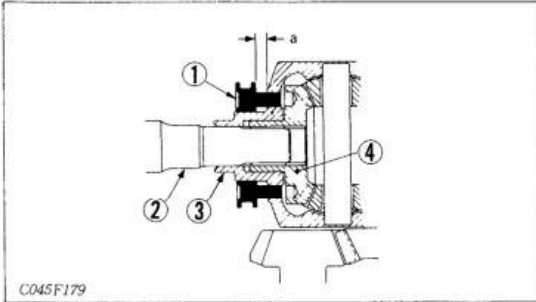
Application: Use for injecting calcium chloride solution into, and removing it from, rear and 4WD type front wheel tires. (See page M.9-7)



C045P011

S.2 TRANSMISSION

- [1] Clutch Housing
Disassembly and Assembly S.2-1
- [2] Transmission Case
Disassembly and Assembly S.2-11
- [3] Servicing (Clutch Housing,
Transmission Case) S.2-18



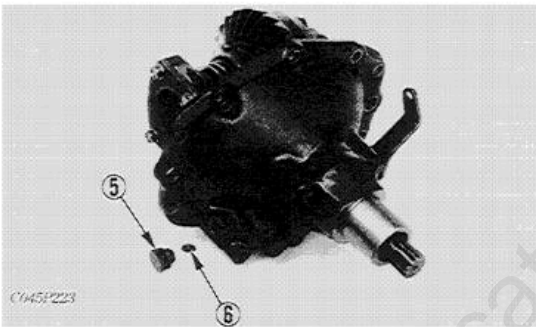
C045F179

- (1) Differential Lock Shifter
- (2) Differential Gear Shaft
- (3) Differential Case
- (4) Differential Side Gear
- (a) Clearance

Displacement of Differential Lock Shifter

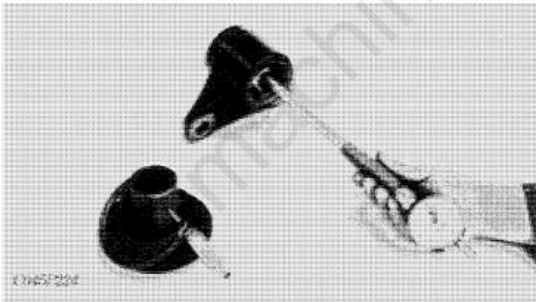
1. Measure the clearance (a) between the differential case and the differential lock shifter with vernier calipers.
2. If the clearance is not between the reference values, adjust with the adjusting shim (6).

Displacement of differential lock shifter	Reference value	10 to 11 mm 0.394 to 0.433 in.
---	-----------------	-----------------------------------



C1445F223

- (5) Plug
- (6) Adjusting Shim



C1445F234

Clearance between Bearing Retainers and Front Axle Case Support Bushings

1. Measure the bearing retainer O.D. with an outside micrometer.
2. Measure the front axle case support bushing I.D. with a cylinder gauge and calculate the clearance.
3. If the clearance exceeds the allowable limit, replace.

Clearance between bearing retainer and front axle case support bushing	Reference value	0.035 to 0.161 mm 0.0014 to 0.0063 in.
	Allowable limit	0.3 mm 0.0118 in.

Bearing retainer O.D.	Reference value	49.975 to 50.000 mm 1.9676 to 1.9685 in.
Bushing I.D.	Reference value	50.035 to 50.136 mm 1.9699 to 1.9738 in.

Full Version Available

Kubota M4500(AAC) Tractor Workshop Manual

This is a short preview. The complete manual contains all chapters, wiring diagrams, torque specifications and full service procedures.

VIEW THE FULL MANUAL

<https://machinecatalogic.com/kubota-m4500-aac-tractor-workshop-manual/>