

WSM

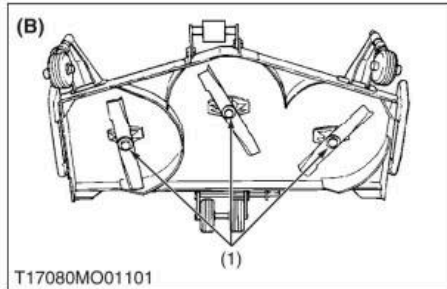
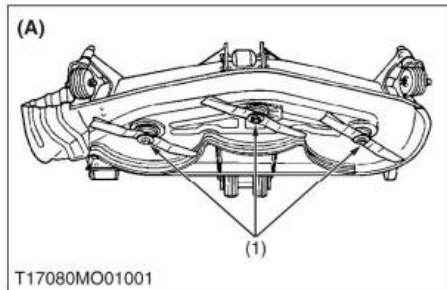
WORKSHOP MANUAL
ROTARY MOWER

RCK54-24B-EC, RCK60-24B-EC,
RCK60-27B-EC RC60-24BR,
RC60-27BR

Kubota

6. CHECK AND MAINTENANCE

[1] CHECK POINTS OF DAILY OR EACH USE



Retightening Mower Blade Screw

CAUTION

- To avoid injury, always handle the mower blade with care.
1. Dismount the mower and turn it over to expose the mower blades.
 2. Wedge a block of wood securely between the mower blade and mower deck.
 3. Retighten the mower blade screw to the specified torque.
 4. If the mower blade screw is worn or broken, replace it.

NOTE

- The RC60-24BR and RC60-27BR mower blade screw has left-hand threads.

Turn it counterclockwise to tighten.

Tightening torque	Mower blade screw	98.1 to 117.1 N·m 10.0 to 12.0 kgf·m 72.3 to 86.8 ft·lbs
-------------------	-------------------	--

(1) Mower Blade Screw

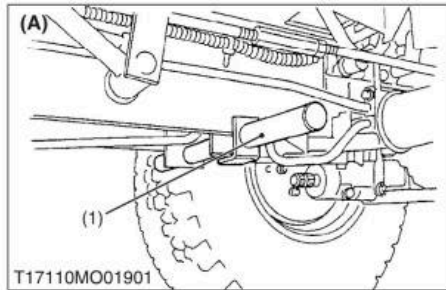
(A) RCK54-24B-EC, RCK60-24B-EC,
RCK60-27B-EC
(B) RC60-24BR, RC60-27BR

W1025290

Checking Mower Blade

1. See page S-4.

W1025440



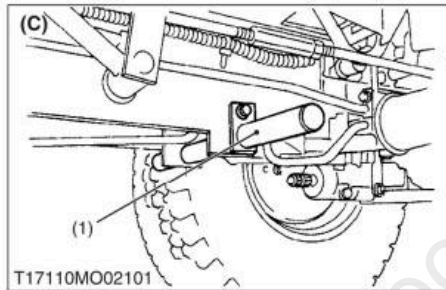
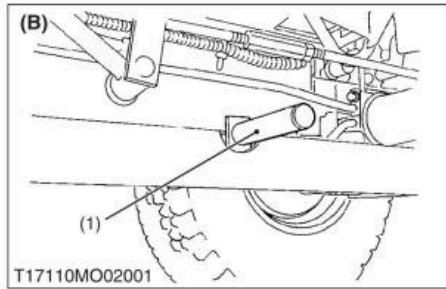
Rear Hanger Bracket (3-Point Hitch Lift Type)

1. Insert the rear hanger bracket (1) from left side of the frame holes, and set it with M8 bolt.

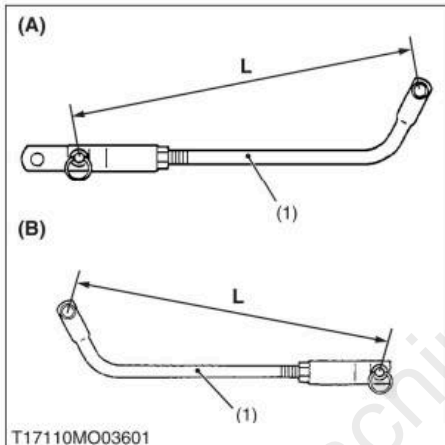
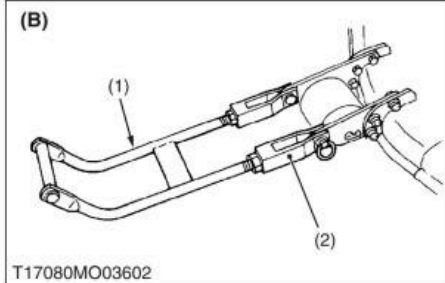
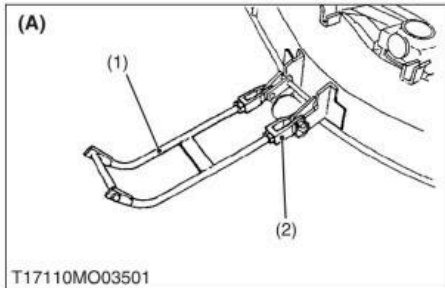
(1) Rear Hanger Bracket

- (A) RCK54-24B-EC, RCK60-24B-EC
- (B) RCK60-27B-EC
- (C) RC60-24BR, RC60-27BR

W1016620



machinecatalogic.com



Adjusting Front Link (Lift Cylinder Type)

⚠ CAUTION

- Before starting engine, make sure that all levers (including auxiliary hydraulic control lever) are in neutral position.
- Shut off the engine and allow the mower blades to stop before making adjustment.

1. Park the tractor on a firm, flat and level surface.
2. Raise the mower and set the height of mower gauge wheels the same.
3. Lower the mower to the ground.
4. If the gauge wheels are not on the ground, remove the front link from the mower. And adjust the length (L) of the front link (1) until the gauge wheels come into contact with the ground.
5. Attach the front link to the mower.
6. Start the engine.
7. Operate the auxiliary hydraulic control lever rearward to rise the mower.
8. Stop the engine then check whether the mower is level. If the mower is not level, lower the mower to the ground and adjust the clevis (2).

IMPORTANT

- Tire pressure must be correct.

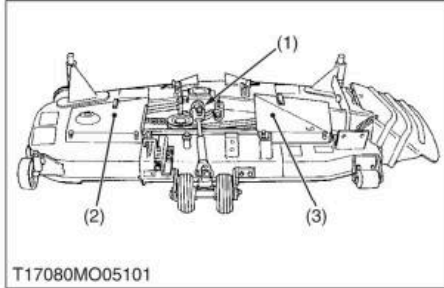
- (1) Front Link
(2) Clevis

- (A) RCK54-24B-EC, RCK60-24B-EC,
RCK60-27B-EC
(B) RC60-24BR, RC60-27BR

W1018742

[2] DISASSEMBLING AND ASSEMBLING

(1) RCK54-24B-EC, RCK60-24B-EC, RCK60-27B-EC (Side Discharge Mower)

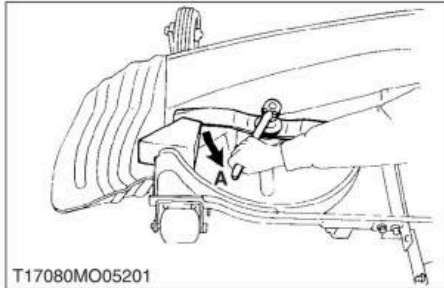


Universal Joint and Belt Covers

1. Remove the universal joint (1).
2. Remove the left and right belt covers (2), (3).

- (1) Universal Joint (3) Belt Cover (Right)
 (2) Belt Cover (Left)

W1012580



Mower Blades (Center Blade and Outer Blades)

1. Turn over the mower.
2. Unscrew the mower blade screw (5), and remove the spline boss (4), two cup washers (3), mower blade (2) and dust cover (1).

NOTE

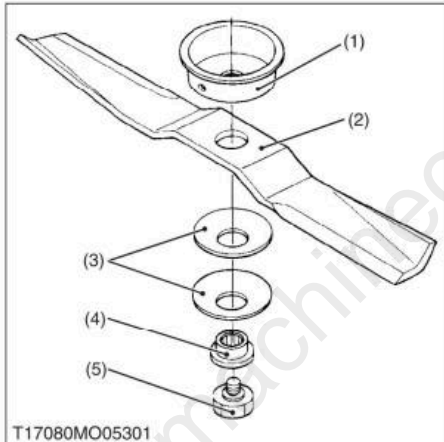
- To remove the blade securely, wedge a block of wood between one blade and the mower deck in such position that it will hold the blade safely while loosening or tightening the blade screw.

(When reassembling)

- Be sure to assemble the two cup washers between the mower blade and spline boss.

IMPORTANT

- Make sure the cup washer is not flattened out or worn, causing blade to slip easily. Replace two cup washers if either is damaged.

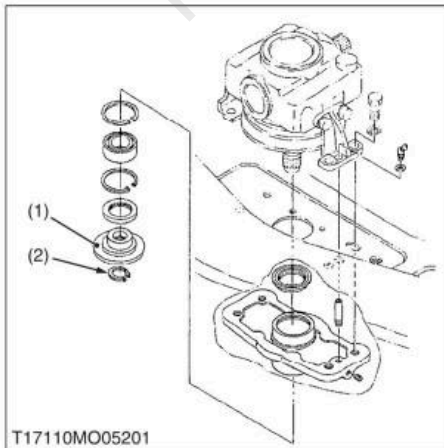


Tightening torque	Mower blade screw	98.1 to 117.7 N·m 10.0 to 12.0 kgf·m 72.3 to 86.8 ft·lbs

- (1) Dust Cover
 (2) Mower Blade
 (3) Cup Washer
 (4) Spline Boss
 (5) Mower Blade Screw

A : Loosen

W1012667



Blade Boss

1. Remove the external snap ring (2).
2. Remove the blade boss (1).

- (1) Blade Boss (2) External Snap Ring

W1012871

Full Version Available

Kubota RCK54-24B-EC Rotary Mower Workshop Manual

This is a short preview. The complete manual contains all chapters, wiring diagrams, torque specifications and full service procedures.

[VIEW THE FULL MANUAL](#)