

# WSM

---

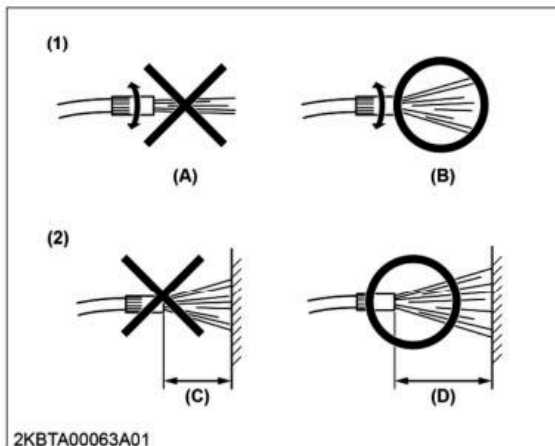
WORKSHOP MANUAL

**MOWER**

**RCK60-30BB,  
RC72-30BB**

---

**Kubota**



2KBTA00063A01

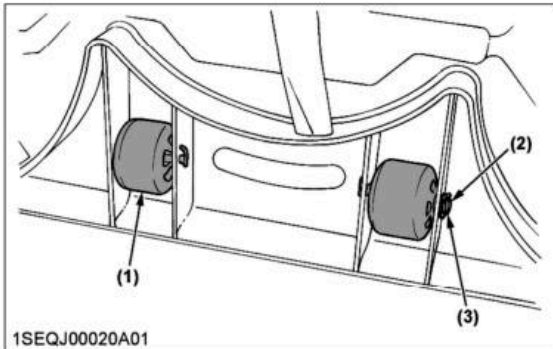
- (1) Adjusting the washer power
- (2) Washing distance
- (A) Pencil point spray
- (B) Wide spray
- (C) Less than 2 m (80 in.)
- (D) Over 2 m (80 in.)

## 21. Dispose fluids correctly

- Do not dispose fluids on the ground, down the drain, into a stream, pond, or lake. Obey related environmental protection regulations when you dispose of oil, fuel, coolant, electrolyte, and other dangerous materials.



IBM009A



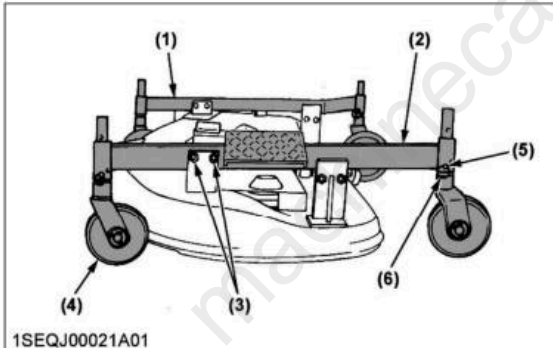
- 1SEQJ00020A01
- (1) 2-Rear anti-scalp roller (ø80)
  - (2) 2-Cotter pin
  - (3) 2-Plain washer

2. Attach the gauge wheel stays to the mower deck with M12 bolts, spring washers and nuts. Then attach the gauge wheels to the mower deck with the clevis pins and snap rings.

**IMPORTANT**

- Keep the gauge wheels at the same level when in contact with ground. Now tighten up the gauge wheel stays with bolts.

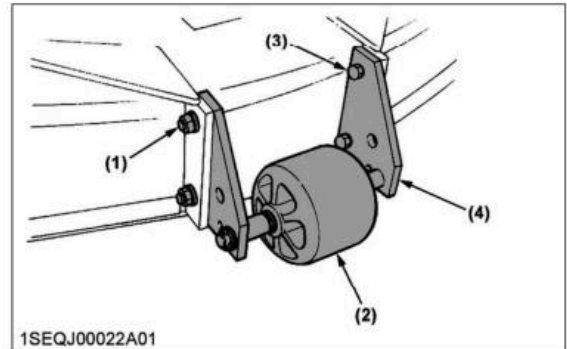
Tightening torque	M12	77.4 to 90.2 N·m 8.0 to 9.2 kgf·m 57.2 to 66.5 lbf·ft
-------------------	-----	---



- 1SEQJ00021A01
- (1) Gauge wheel stay (RH)
  - (2) Gauge wheel stay (LH)
  - (3) 8-M12 × 70 bolt, spring washer, nut
  - (4) 4-Gauge wheel
  - (5) 4 Clevis pin
  - (6) 4-Snap ring

3. Attach the bracket to the mower deck with M10 bolts, spring washers and nuts.

Tightening torque	M10	48.1 to 55.9 N·m 4.9 to 5.7 kgf·m 35.4 to 41.2 lbf·ft
-------------------	-----	---



- 1SEQJ00022A01
- (1) 4-Spring washer and nut
  - (2) Front anti-scalp roller (ø100)
  - (3) 6-M10 × 30 bolt
  - (4) 2-Bracket (LH and RH)

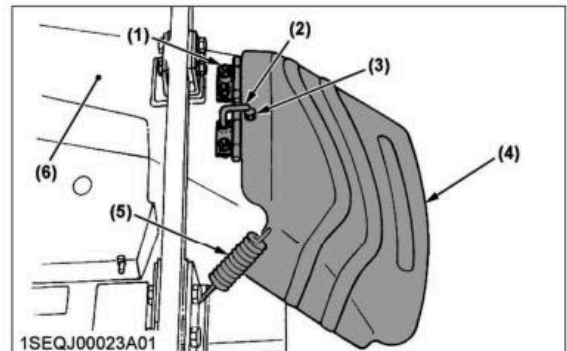
4. Attach the discharge deflector and discharge deflector stopper to the mower deck with M10 bolts, spring washers and nuts. Secure the spring to the discharge deflector as illustrated.

**WARNING**

To avoid serious injury or death:

- Discharge deflector stopper should be set in place as shown below.

(See tightening torque chart in step 3.)



- 1SEQJ00023A01
- (1) 3-M10 × 25 bolt
  - (2) Discharge deflector stopper
  - (3) 3-M10 × 28 bolt
  - (4) Discharge deflector
  - (5) Spring/Diameter 22 mm (0.87 in.)
  - (6) Mower deck

**4.2 Mounting the mower to the tractor with titan turf tires**

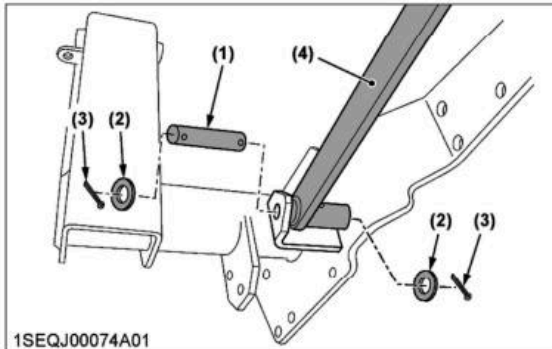
**4.2.1 Installation of mower stopper extension**

**IMPORTANT**

- Installation of this parts is required when the RCK60-30BB mower is installed on tractor applications with the ABR8742 front turf tire (24

- Park the tractor on a firm, flat and level surface, set the parking brake, stop the engine and remove the key.

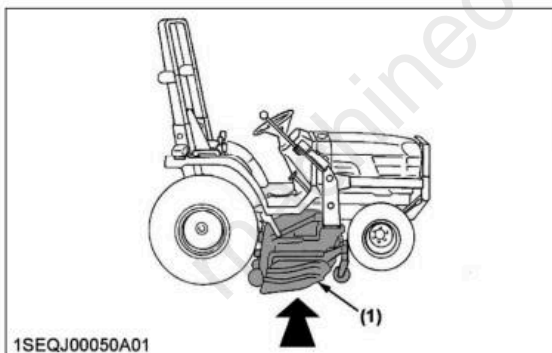
1. Remove the front loader and the backhoe sub frame from the tractor. (Refer to the front loader operator's manual.)
2. Install the rear links to the front loader pins with the stay pins, plain washers and cotter pins.



- (1) Stay pin
- (2) Plain washer
- (3) Cotter pin
- (4) Rear link

**RCK60-30BB**

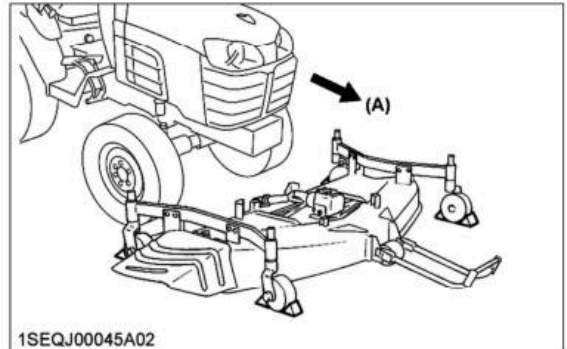
3. Turn the steering wheel fully left. Mount the mower from the right side of the tractor. (See [Mounting the mower to the tractor on page 2-25.](#))



- (1) Mower

**RC72-30BB**

Drive over the mower forward, and mount the mower. (See [Mounting the mower to the tractor on page 2-25.](#))



- (A) "Drive over forward"

**6. Adjustments of the mower**

**⚠ WARNING**

To avoid serious injury or death:

- Park the tractor on a firm, flat, and level surface and set the parking brake.
- Stop the engine, remove the key and allow the blades to stop before adjustment of the mower.
- Wear heavy gloves or wrap end of blade with a rag when you handle blades.

**6.1 Adjusting the front link and connecting rod**

**⚠ WARNING**

To avoid serious injury or death:

- Before starting the engine, make sure that all levers (including auxiliary control levers) are in their neutral positions, that the parking brake is engaged, and that both the clutch and the power take-off (PTO) are disengaged (OFF).

1. Park the tractor on a firm, flat and level surface.
2. Set the mower gauge wheels to the same height and lower the mower to the ground.
3. If the front wheels are not on the ground, remove the front link from the mower and adjust the clevis.

# MECHANISM

## 1. Structure of power transmission of mower

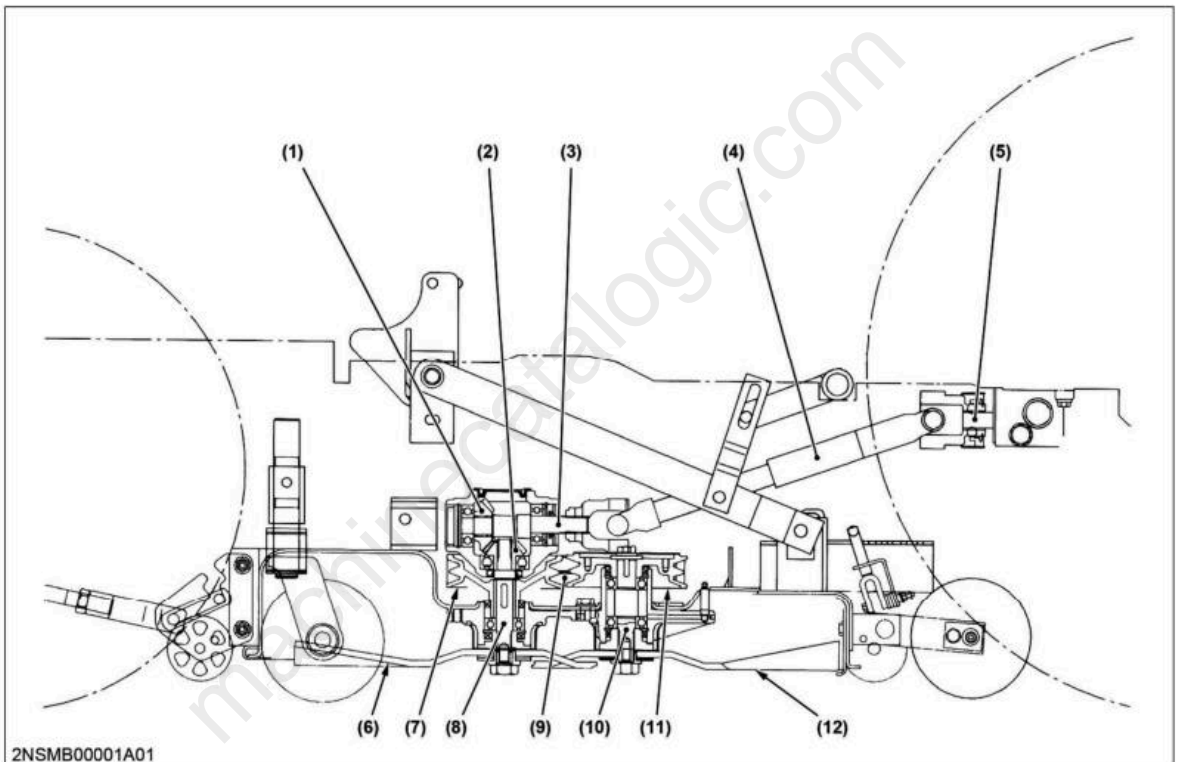
The power is transmitted from Mid-PTO to blades as follows:

### Center blade

Mid-PTO shaft (5) → Universal joint (4) → Pinion shaft (3) → Bevel gear (1) → Bevel gear (2) → Bevel gear shaft (8) → Center blade (6)

### Outer blade

Mid-PTO shaft (5) → Universal joint (4) → Pinion shaft (3) → Bevel gear (1) → Bevel gear (2) → Bevel gear shaft (8) → Center pulley (7) → Mower belt (9) → Outer pulley (11) → Blade shaft (10) → Outer blade (12)



- |   |                      |                   |
|---|----------------------|-------------------|
| (1) Bevel gear<br>18T: RCK60-30BB<br>19T: RC72-30BB | (3) Pinion shaft     | (9) Mower belt    |
| (2) Bevel gear<br>17T: RCK60-30BB<br>18T: RC72-30BB | (4) Universal joint  | (10) Blade shaft  |
|   | (5) Mid-PTO shaft    | (11) Outer pulley |
|   | (6) Center blade     | (12) Outer blade  |
|   | (7) Center pulley    |                   |
|   | (8) Bevel gear shaft |                   |

# Full Version Available

Kubota RCK60-30BB Rotary Mower Workshop Manual

This is a short preview. The complete manual contains all chapters, wiring diagrams, torque specifications and full service procedures.

[VIEW THE FULL MANUAL](#)