

WSM

WORKSHOP MANUAL

**T2090BR-AU,
T2290KW-AU,
T2290KWT-AU**

Kubota

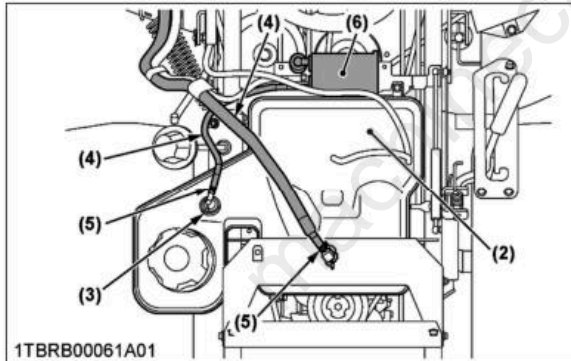
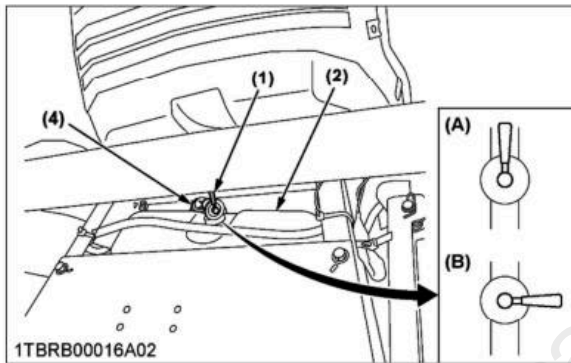
Fuel may leak out onto the running engine, causing a fire.

The fuel line is made of rubber and ages regardless of service period.

1. If the fuel line, fuel filter and clamps are found damaged or deteriorated, replace them.

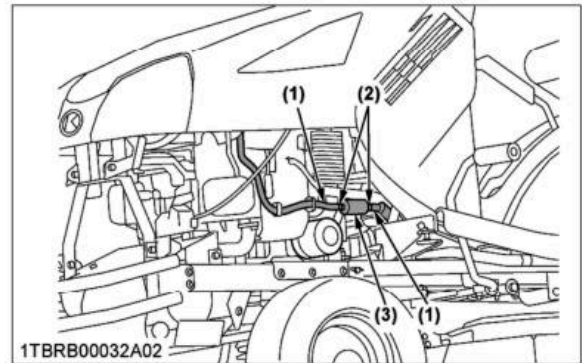
IMPORTANT

- When the fuel line is disconnected for maintenance or repair, close both ends of the fuel line with a piece of clean cloth or paper to prevent dust and dirt from entering. In addition, particular care must be taken not to admit dust and dirt into the fuel pump. Entrance of dust and dirt causes malfunction of the fuel pump.



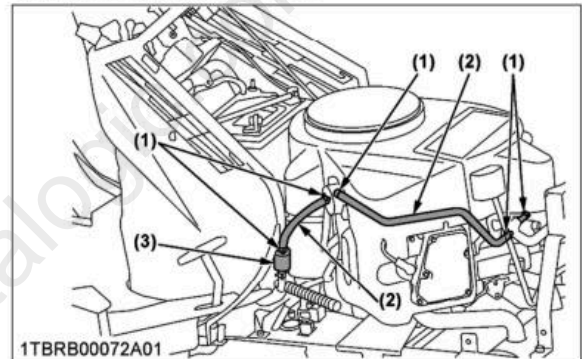
- | | |
|---------------------|-------------|
| (1) Fuel valve | (A) "OPEN" |
| (2) Fuel tank | (B) "CLOSE" |
| (3) 2 way valve | |
| (4) Fuel line | |
| (5) Pipe clamps | |
| (6) Carbon canister | |

T2090BR-AU



- (1) Fuel hose
- (2) Fuel hose clamp
- (3) Fuel filter

T2290KW-AU, T2290KWT-AU



- (1) Pipe clamps
- (2) Fuel line
- (3) Fuel filter

5.11 Cleaning air cleaner paper element (T2290KW-AU, T2290KWT-AU)

Every 100 hours of operation or annually replace the paper element.

Check the air cleaner daily or before starting the engine. Check for a buildup of dirt and debris around the air cleaner system. Keep this area clean. Also check for loose or damaged components. Replace all bent or damaged air cleaner components.

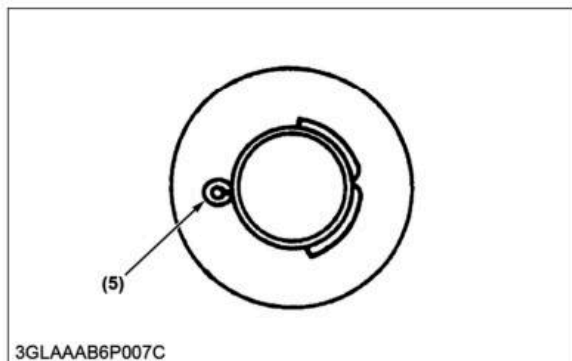
machinecatalogic.com

3. Remove the panel (6).

(When reassembling)

■ **IMPORTANT**

- When you assemble the brake rod, adjust the play.
- Bend the cotter pin (5) at both side as shown in the figure.



3GLAAB6P007C

(5) Cotter pin

9. ELECTRICAL SYSTEM

Easy Checker™

Symptom	Probable cause and checking procedure	Solution	Reference page
Charging indicator lamp does not light when main switch is turned to on position	Fuse blown	Replace	2-38
	Bulb blown	Replace	2-38
	Main switch damaged	Replace	9-19
	Wiring harness disconnected or improperly connected	Repair or replace	3-13
Power loss (PTO belt tension normal)	Short circuit between stator coil lead and regulator	Repair or replace	Kawasaki or Briggs & Stratton manual
	Regulator damaged	Repair or replace	Kawasaki or Briggs & Stratton manual
Oil pressure indicator lamp lights up when engine operates	Engine oil pressure too low	Check oil pump	Kawasaki or Briggs & Stratton manual
	Oil pressure switch damaged	Replace	9-26
	Short circuit between oil pressure switch lead (1P connector) and chassis	Repair	9-26
	Engine oil insufficient	Fill	2-21
Oil pressure indicator lamp does not light when main switch is turned to on position and engine does not operate	Fuse blown	Replace	2-38
	Bulb blown	Replace	2-38
	Main switch damaged	Replace	9-19
	Wiring harness disconnected or improperly connected	Repair or replace	3-13

Full Version Available

Kubota T2090BR-AU Lawn Tractor Workshop Manual

This is a short preview. The complete manual contains all chapters, wiring diagrams, torque specifications and full service procedures.

VIEW THE FULL MANUAL

<https://machinecatalogic.com/kubota-t2090br-au-lawn-tractor-workshop-manual/>