

WSM

WORKSHOP MANUAL

MANUEL D'ATELIER

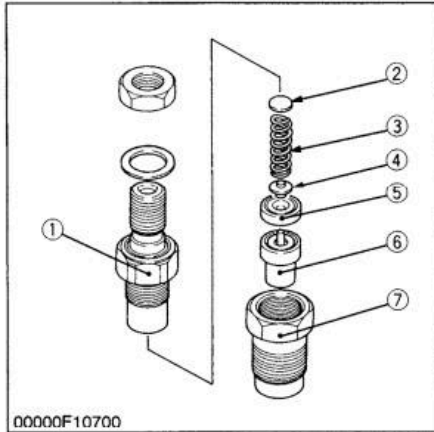
WERKSTATTANLEITUNG

TG1860, TG1860G

Kubota

DISASSEMBLING AND ASSEMBLING

(1) Injection Nozzle



Nozzle Holder

1. Secure the nozzle retaining nut (7) with a vise.
2. Remove the nozzle holder (1), and take out parts inside.

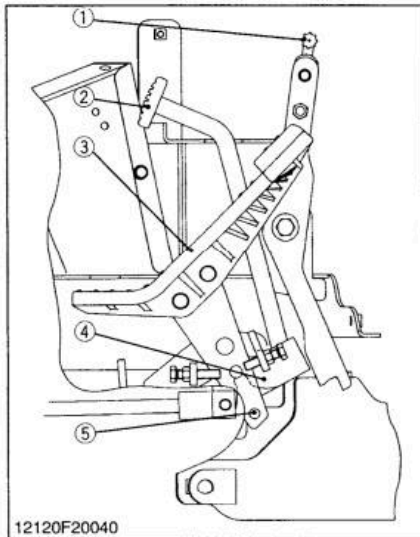
(When reassembling)

- Assemble the nozzle in clean fuel oil.
- Install the push rod (4), noting its direction.
- After assembling the nozzle, be sure to adjust the fuel injection pressure.

Tightening torque	Nozzle holder	34.3 to 39.2 N·m 3.5 to 4.0 kgf·m 25.3 to 28.9 ft·lbs
	Overflow pipe nut	19.6 to 24.5 N·m 2.0 to 2.5 kgf·m 14.5 to 18.1 ft·lbs
	Nozzle holder assembly	49.0 to 68.6 N·m 5.0 to 7.0 kgf·m 36.2 to 50.6 ft·lbs

- | | |
|----------------------|--------------------------|
| (1) Nozzle Holder | (5) Distance Piece |
| (2) Adjusting Washer | (6) Nozzle Piece |
| (3) Nozzle Spring | (7) Nozzle Retaining Nut |
| (4) Push Rod | |

00000S10530



Checking Speed Change Pedal Restriction

NOTE

• This adjustment should be performed after completing the adjustment of neutral.

1. Set the speed change pedal (3) to "NEUTRAL" position, and apply the parking brake (1).
2. Check that the pin (5) of speed change arm locks with the brake pedal arm (4) as shown in the figure.
3. If it is improper, adjust with the adjusting nut (7) on speed change rod (8).

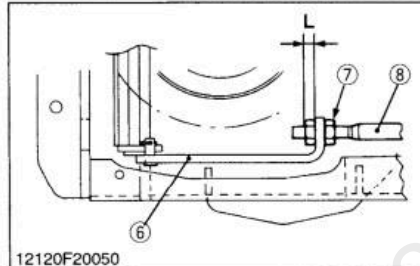
NOTE

• After adjustment, be sure to check that the speed change rod (8) doesn't touch the frame.

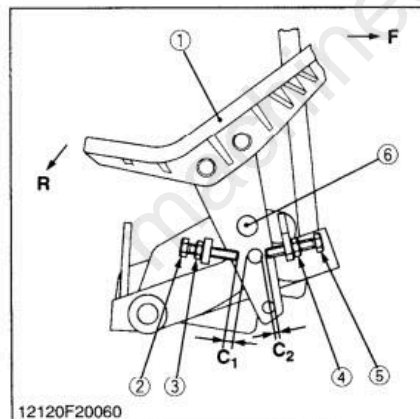
(Reference)

- Length "L" : 15 mm (0.59 in.)

- | | |
|------------------------|--------------------------|
| (1) Parking Brake | (5) Pin |
| (2) Brake Pedal | (6) Speed Change Plate 2 |
| (3) Speed Change Pedal | (7) Adjusting Nut |
| (4) Brake Pedal Arm | (8) Speed Change Rod |



12120S20070



Pedal Stopper (Adjusting Maximum Forward and Reverse Travelling Speed)

NOTE

• This adjustment should be performed after completing the adjustment of neutral.

[Forward Operation]

1. Loosen the lock nut (3) and screw back the adjusting screw (2).
2. Lightly depress the pedal (1) forward to the stroke end.
3. Screw in the adjusting screw (2) until it touches the pedal.
4. Then further screw in the adjusting screw (2) 1/2 turn, and tighten the lock nut (3).

(Reference)

- Clearance "C₁" (when the pedal is in neutral) : 7.5 mm (0.30 in.)

[Reverse Operation]

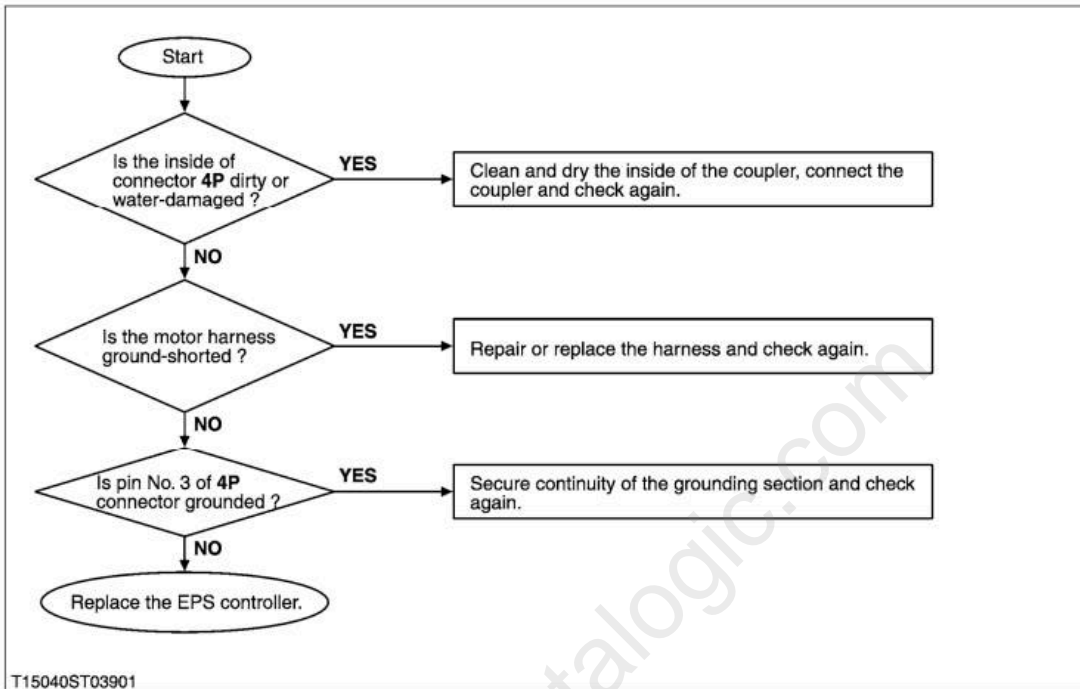
(Reference)

- Clearance "C₂" (when the pedal is in neutral) : 4 mm (0.16 in.)

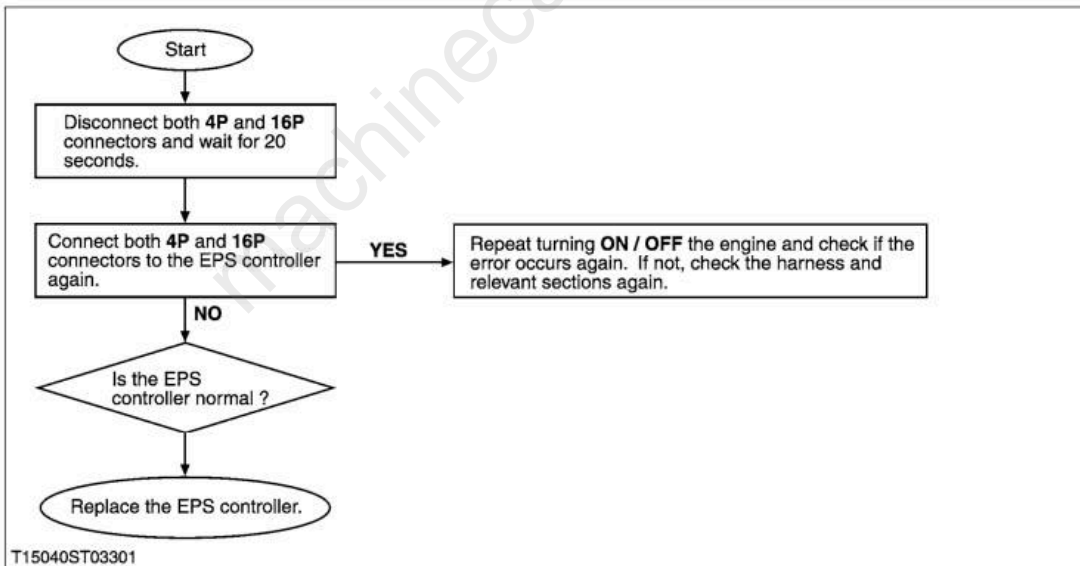
- | | |
|------------------------|---------------------|
| (1) Speed Change Pedal | (4) Lock Nut |
| (2) Adjusting Screw | (5) Adjusting Screw |
| (3) Lock Nut | (6) Fulcrum |

12120S20080

(8) Error code 17



(9) Error code 19 and 22



Symptom	Probable Cause	Solution	Reference Page
Blades scalping grass	Cutting height too low	Raise cutting height	9-S6
	Turning speed too fast	Reduce speed on turns	-
	Ridges in terrain	Change mowing pattern	-
	Bend blades	Replace blades	9-S10
Excessive vibration	Debris on mower deck or in pulleys	Clean mower deck and pulleys	-
	Damaged mower belt.	Replace mower belt	9-S4, S8
	Damaged pulleys	Replace pulleys	9-S10, S11, S12
	Pulleys out of alignment	Check pulleys	-
	Blades out of balance	Have blades balanced	-

12120S90020

SERVICING SPECIFICATIONS

Item		Factory Specification	Allowable Limit
Front Tip of Blade to Rear Tip of Blade [RCK54TG]	Difference	Less than 3 mm 0.12 in.	-
	[RCK48TG]	Less than 5 mm 0.20 in.	-
Left Tip of Blade to Right Tip of Blade [RCK54TG]	Difference	Less than 3 mm 0.12 in.	-
	[RCK48TG]	Less than 4 mm 0.16 in.	-
Pulley Shaft to Tension Arm Bushing	Clearance	0.005 to 0.117 mm 0.0002 to 0.0046 in.	0.30 mm 0.0118 in.
Pulley Shaft	O.D.	18.997 to 19.027 mm 0.7479 to 0.7491 in.	-
Tension Pulley Bushing	I.D.	19.032 to 19.114 mm 0.7493 to 0.7525 in.	-

12120S90030

Full Version Available

Kubota TG1860G Lawn Tractor Workshop Manual

This is a short preview. The complete manual contains all chapters, wiring diagrams, torque specifications and full service procedures.

[VIEW THE FULL MANUAL](https://machinecatalogic.com/kubota-tg1860g-lawn-tractor-workshop-manual/)

<https://machinecatalogic.com/kubota-tg1860g-lawn-tractor-workshop-manual/>