

# SERVICE PARTS CATALOGUE

**CI85**

**(01/08 - 12/10)**

Compact Track Loader

*Tech Type: 550710118*

machinecatalogic.com

**Part number 550710118PC**

English  
June 2026



**HYDROSTATICS - TANDEM PUMP, MODELS WITH PILOT CONTROLS, C185**

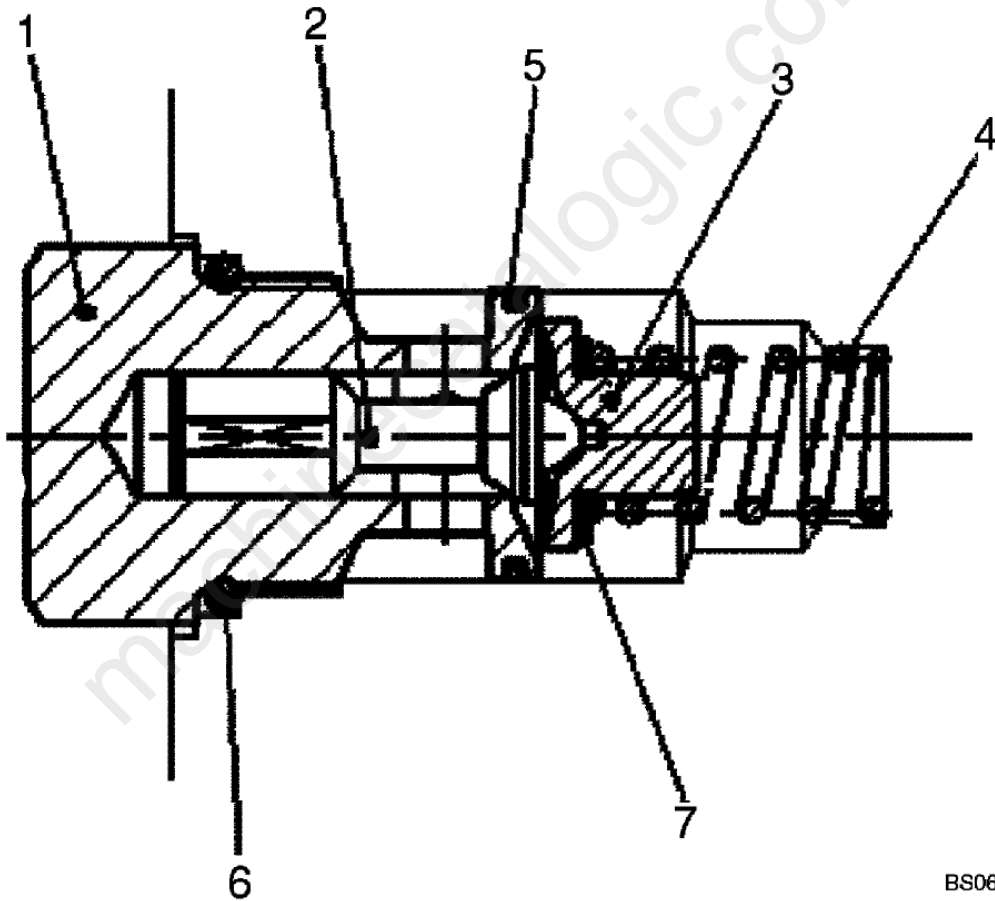
REF	FIGURE NUMBER	FIGURE NAME
29.212.08 01	29.212.08[01]	REXROTH PUMP AA22

machinecatalogic.com

29.212.08 [03]

p1

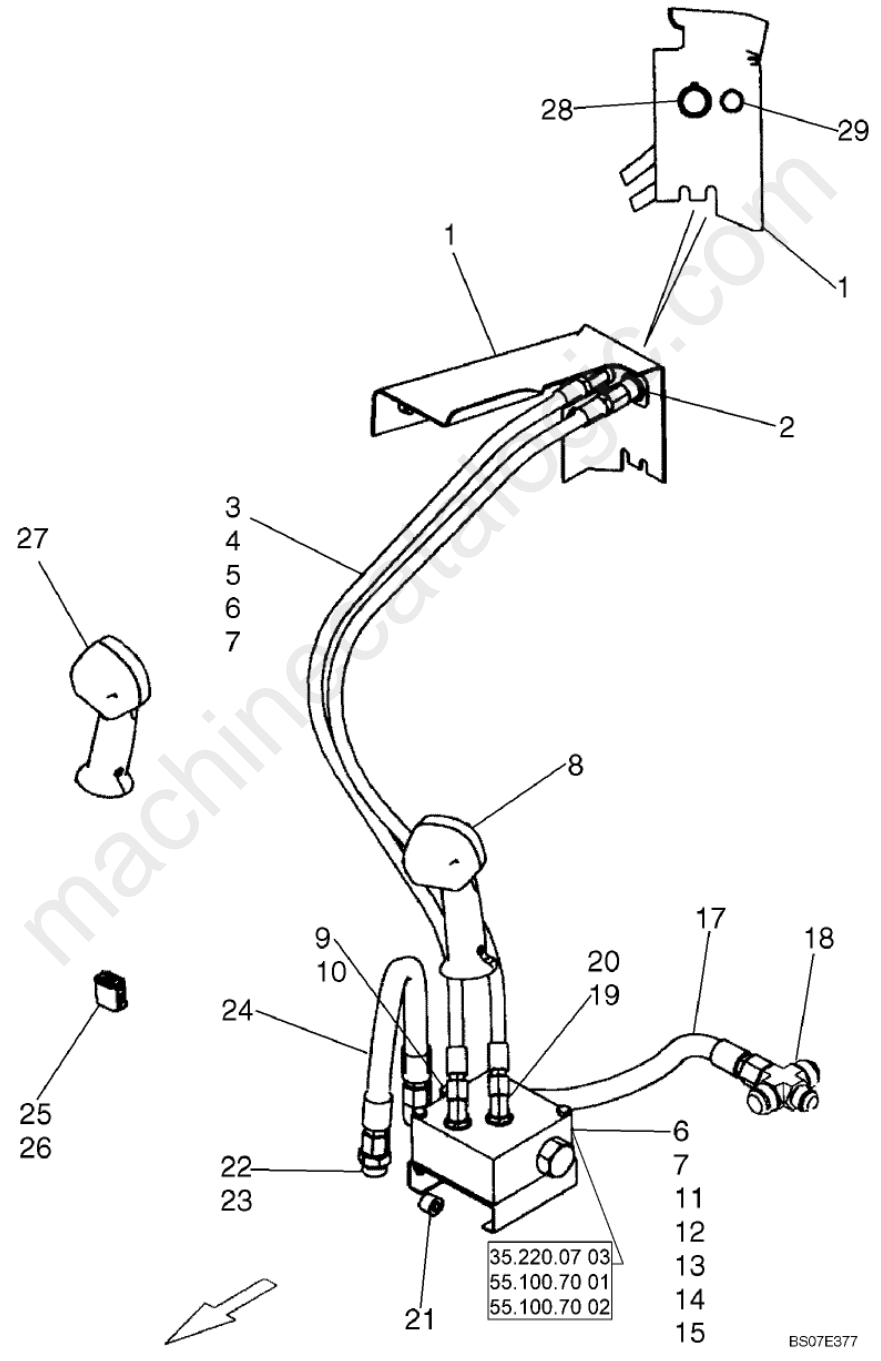
PRESSURE RELIEF VALVE



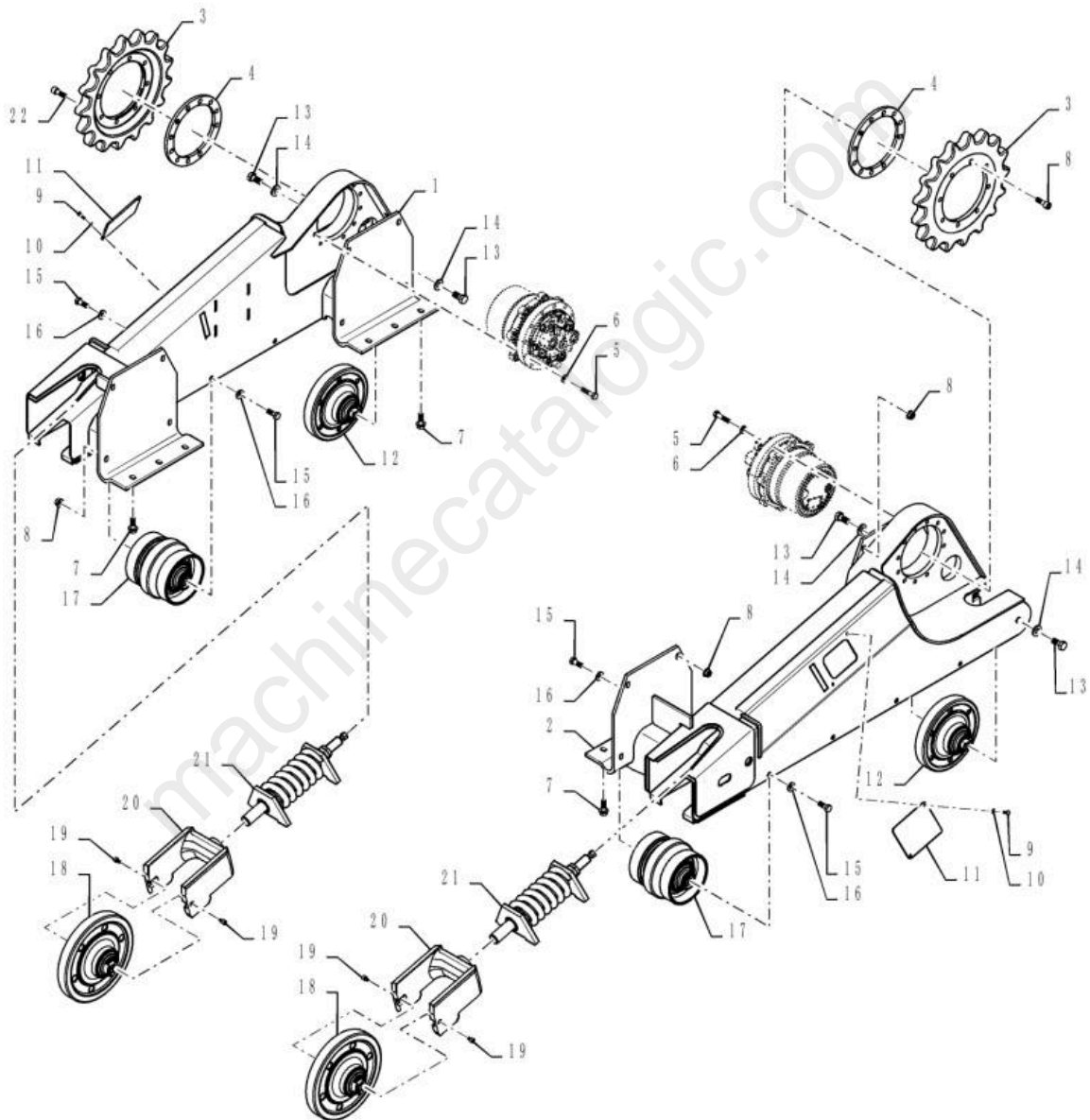
BS06J086



SECONDARY REAR AUXILIARY



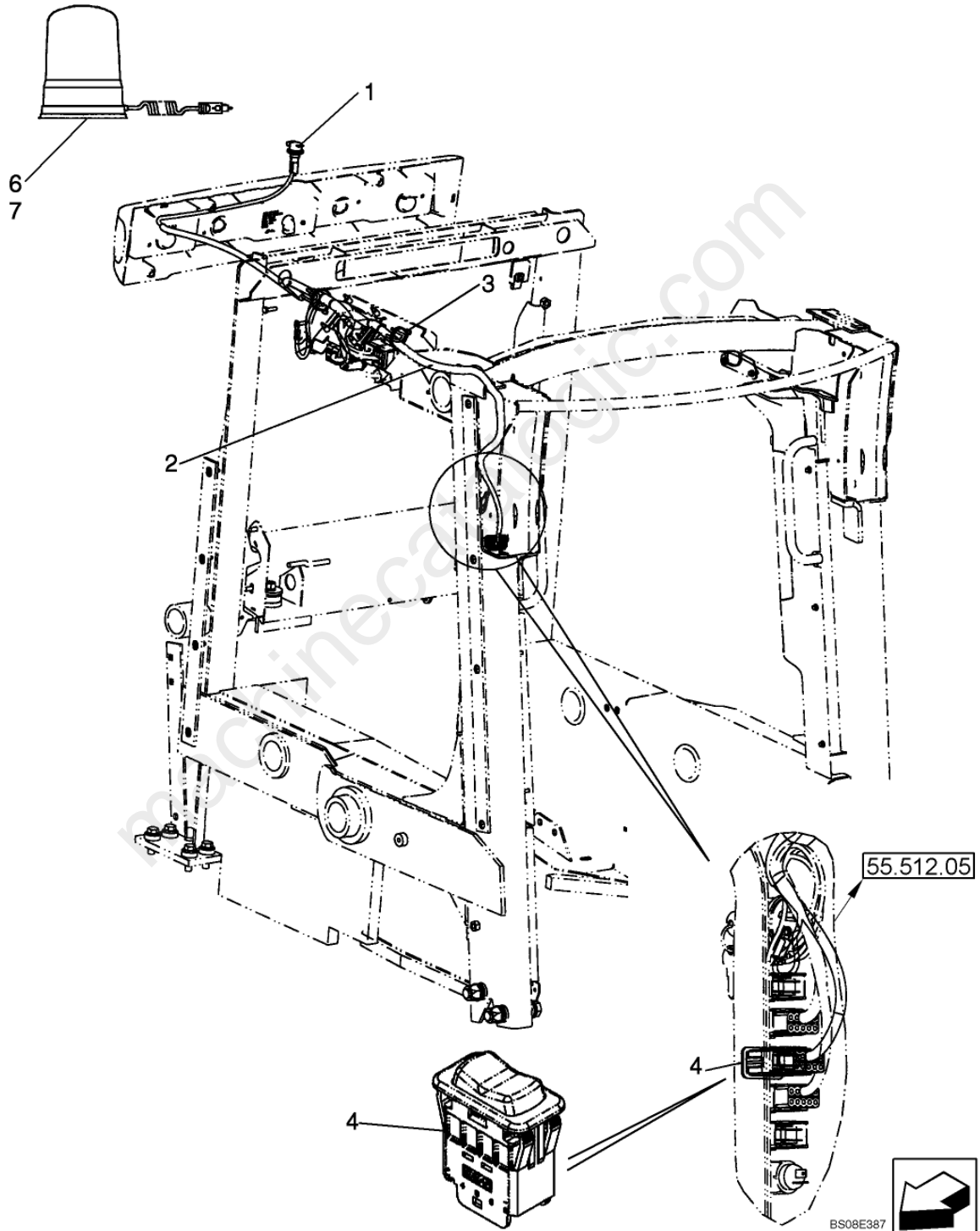
FINAL DRIVE (C185), BONFIGLIOLI DRIVE MOTORS



55.408.01 [02]

p1

BEACON KIT



## DECALS - BOOM &amp; LOAD

REF	PN	QTY	DESCRIPTION	USAGE
1	87586476	1	DECAL	Load, L180
2	87586478	1	DECAL	Load, L190/C190
3	87586473	1	DECAL	Load, L185/C185
4	87586493	1	DECAL	Boom, LH
5	87586494	1	DECAL	Boom, RH

machinecatalogic.com

## Full Version Available

New Holland C185 Compact Track Loader Service Parts Catalogue  
(550710118PC) (June 2026)

This is a short preview. The complete document contains all sections, diagrams, part numbers or specifications, and full procedures.

[VIEW THE FULL MANUAL](#)