

SERVICE PARTS CATALOGUE

C232

(04/17 - 04/19)

Compact Track Loader

Tech Type: 550710170

machinecatalogic.com

Part number 550710170PC

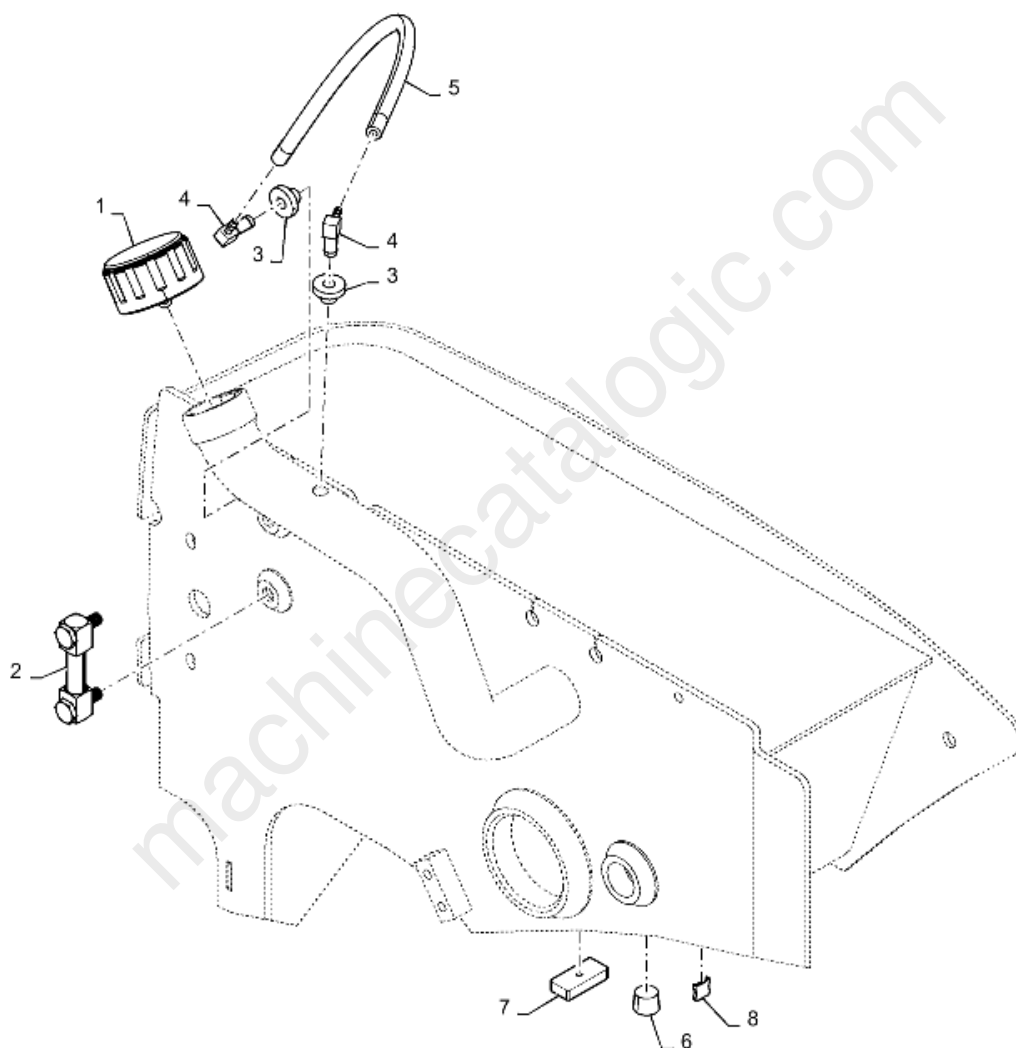
English
March 2026



35.300.AQ

p1

HYDRAULIC FLUID RESERVOIR; (Var) 115W002B02



35.734.AH [12]

p1

HYDRAULIC COUPLER, CHASSIS PLUMBING; (Var) 115W230C02

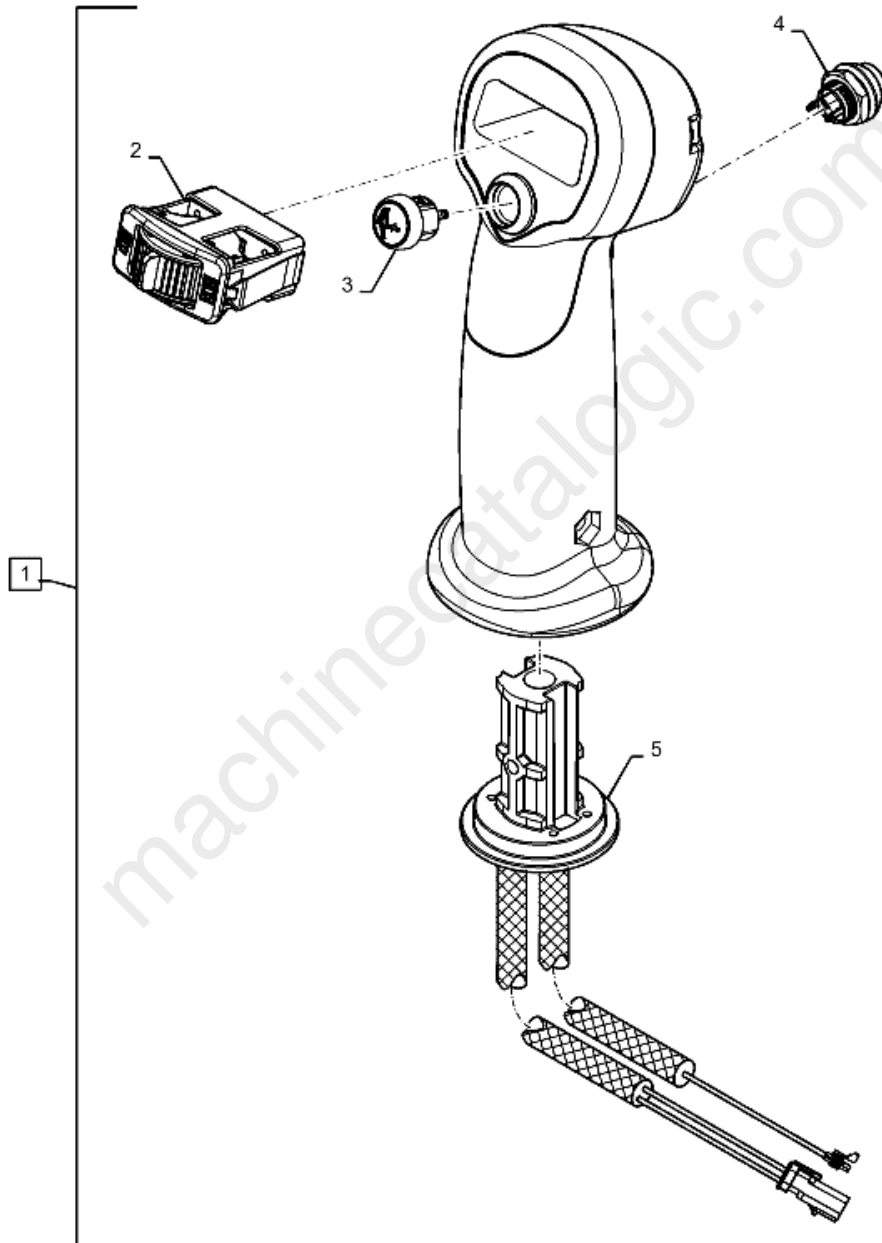
REF	PN	QTY	DESCRIPTION	USAGE
1	604896	2	CLAMP Dual, 3/8" Hose, 6mm Bolt	
2	9804276	2	FLANGE NUT Hex, M6 x 1, CI 8	
3	84201227	1	HOSE 12.7mm ID x 615mm L	Hydraulic Coupler Drain
4	9825770	2	O-RING 7.6mm ID x 1.78mm Thk, HNBR	
5	84318895	1	SPACER SPACER SWIVEL TIE BASE	Swivel Tie Base
6	84555943	1	HYD TUBE	9.53mm OD x 439.0mm L, Coupler Chassis
7	84555945	1	HYD TUBE	9.53mm OD x 414.4mm L, Coupler Chassis
8	84555947	2	HYDRAULIC HOSE 6.35mm ID x 565mm L, SAE 100R17	Coupler, Incl 4
9	86511840	2	FLANGE BOLT Hex Flng, M6 x 1 x 40mm, CI 8.8	
10	86991009	2	CABLE TIE 222mm L, Nylon	Nylon
13	D120614	2	CLAMP 25mm W x 68mm L x 9mm Thk	Hydraulic Hose, Cover

REF	FIGURE NUMBER	FIGURE NAME
35.525.AH 03	35.525.AH[03]	HYDRAULIC COUPLER VALVE
35.525.AH 03	35.525.AH[03]	HYDRAULIC, HIGH FLOW, COMBINER VALVE

55.512.CL [12]

p1

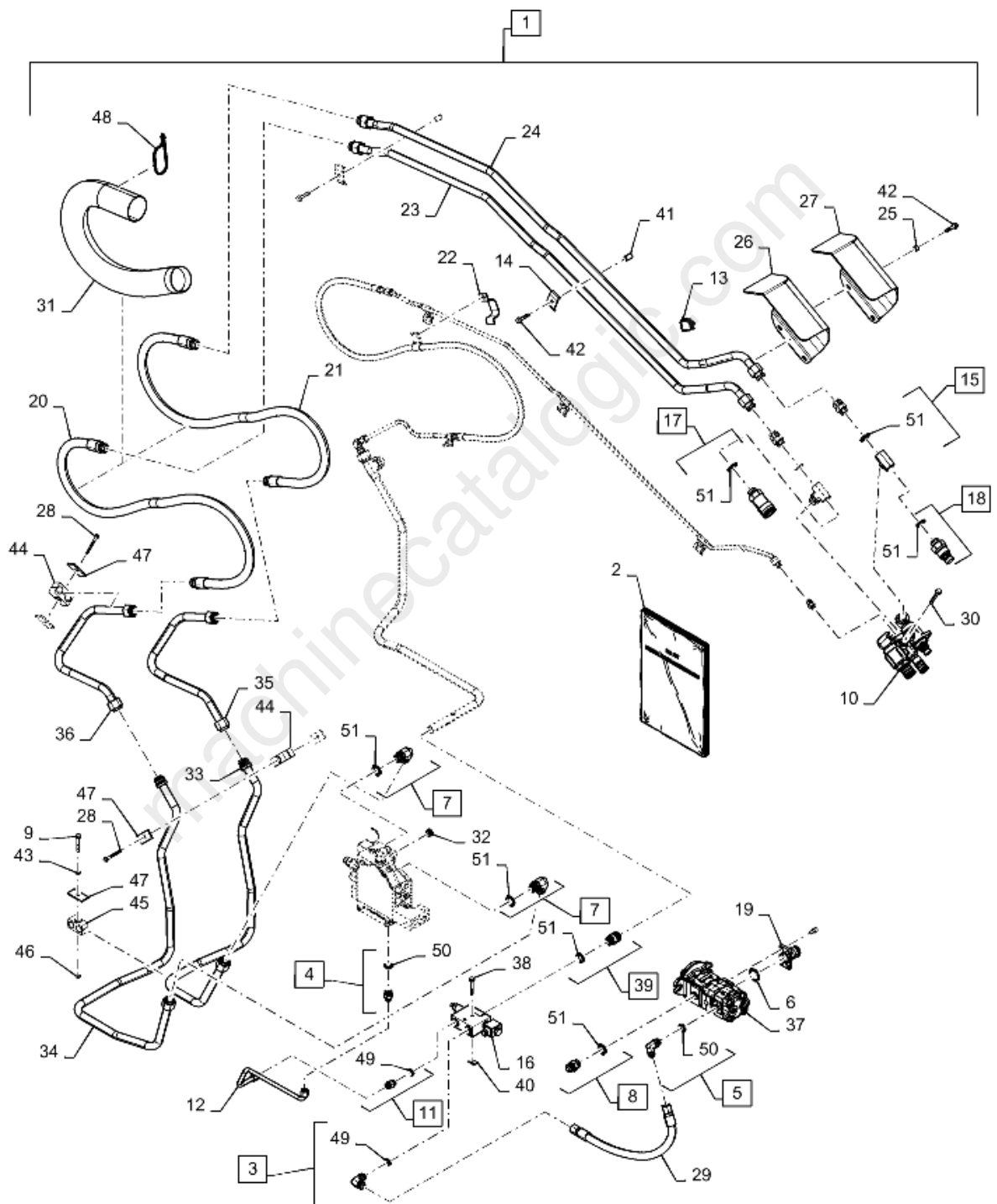
LEVEL 250, HANDLE GRIP, RH; (Var) 115W260D02



88.100.35 [05]

p3

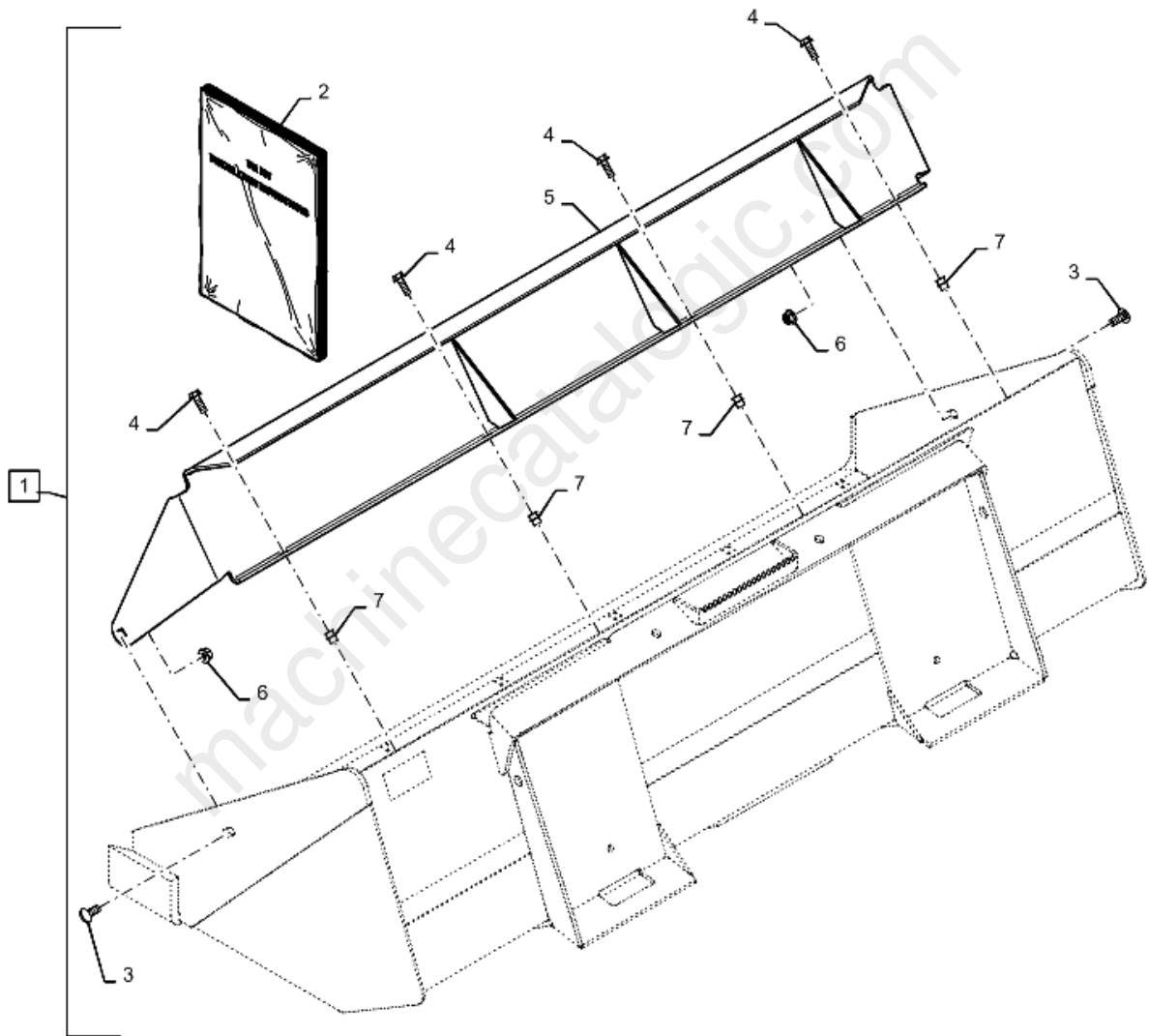
DIA KIT, HIGH FLOW AUX VERTICAL



88.100.82 [07]

p1

DIA KIT, SPILL GUARD BUCKET, 84"



90.100.AU [01]

p1

HOOD & STRUT, AIR CONDITIONED

REF	PN	QTY	DESCRIPTION	USAGE
1	9804258	4	FLANGE BOLT Hex, M8 x 1.25 x 20mm, CI 8.8	
2	47388959	1	BRACKET	RH, Condenser
3	47462652	1	BRACKET	LH, Condenser
4	86625074	4	SPRING NUT Multi-Thd, M8 x 1.25	

REF	FIGURE NUMBER	FIGURE NAME
90.100.AG	90.100.AG	HOODS & COVERS
90.100.AG	90.100.AG	STEEL HOODS & COVERS

Full Version Available

New Holland C232 Compact Track Loader Service Parts Catalogue
(550710170PC) (March 2026)

This is a short preview. The complete document contains all sections, diagrams, part numbers or specifications, and full procedures.

[VIEW THE FULL MANUAL](#)